

SnugSack

Cushions Soft Seating are cylindrical, foam-filled floor seating in 36" and 48" widths. Cover may be specified in vinyl; zippered and removable for cleaning.

Core Construction

> Shredded polyurethane foam vacuum-packed for shipping, expands to fill cover.

Cover

> Cover may be specified in environmentally friendly wipe clean coated vinyl

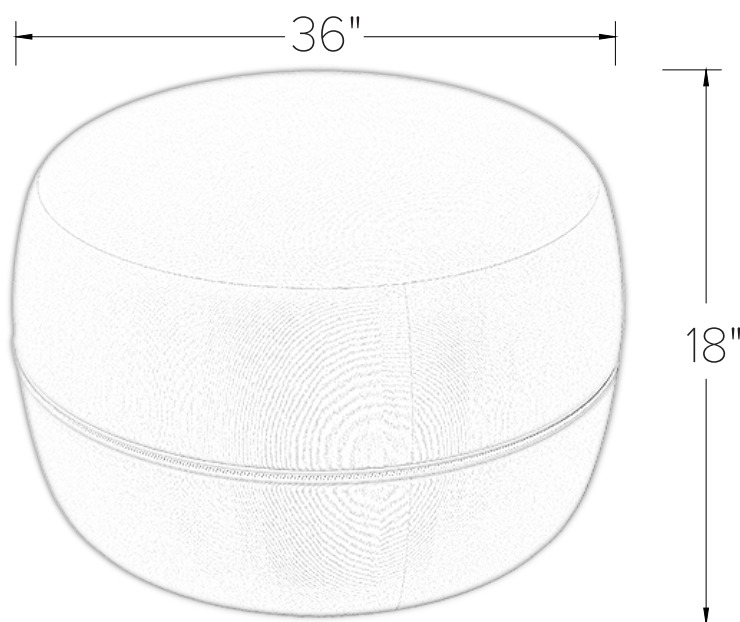
Compliance

> Certified Indoor Advantage™ Gold. Indoor air quality certified to SCS-EC10.3-2014 V3.0. Registration #SCS-IAQ-03677





Soft Seating SnugSack



MODEL	DIAMETER"	HEIGHT"
SS-BBR3	36"	18"
SS-BBR4	48"	24"