

NXT MOV® Cantilever

NXT MOV seating is available in four leg, four leg caster, cantilever, swivel task and swivel stool models. Cantilever models are available in 16" and 18" seat heights.

Poly Shell

Shell is two pieces (independent back and seat) made of structurally engineered, injection-molded polypropylene. Back features ribs for added support. Shell construction yields an extremely durable yet flexible shell with a clean and pleasing aesthetic. Patented shell geometry and design yields an extremely comfortable and ergonomic seat surface. A 3.68" W x 1.06" H carrying handle shall be centered for best weight distribution and ease of use.

Frame

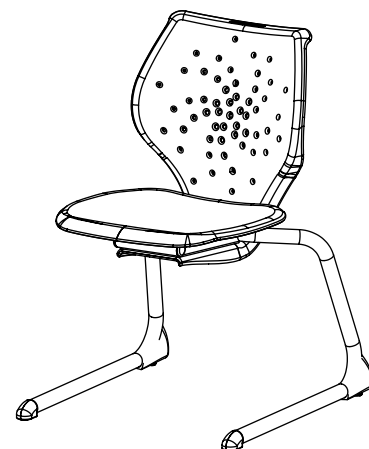
Cantilever frame is constructed of 1.125" 12-gauge tubular steel. The continuous one-piece leg is fully welded to one 10-gauge U-channel support bracket for superior strength and durability. A 1.125" 16-gauge load tie-bar is welded to the support bracket and distributes weight laterally across the chair frame. Seat support bracket is riveted on with 6 tubular rivets and retained with a single 1/2" alloy steel kingpin allowing the unique and patented motion. Kingpin bolt is torqued to 30 foot pounds and secured with thread locking patch. Back is attached to the frame with three 3/8" alloy steel washer head bolts and distorted thread lock nuts. Frame is available in nickel chrome or powder coat finish; completed after welding for improved aesthetics. Bottom of the back has unique and patented curve to allow stacking of the chair without the need for stacking bumpers.

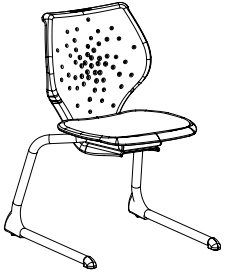
Glides

Toe glides provide support on the ends of the frame tubes and include a 1/4" adjustable nylon button glide for leveling on uneven surfaces. Two fixed anti-tip heels with nylon glides support the rear of the unit and prevent the shell from touching vertical surfaces. Glides are tool removable for replacement. Glide options include nylon, steel, felt and non-skid.

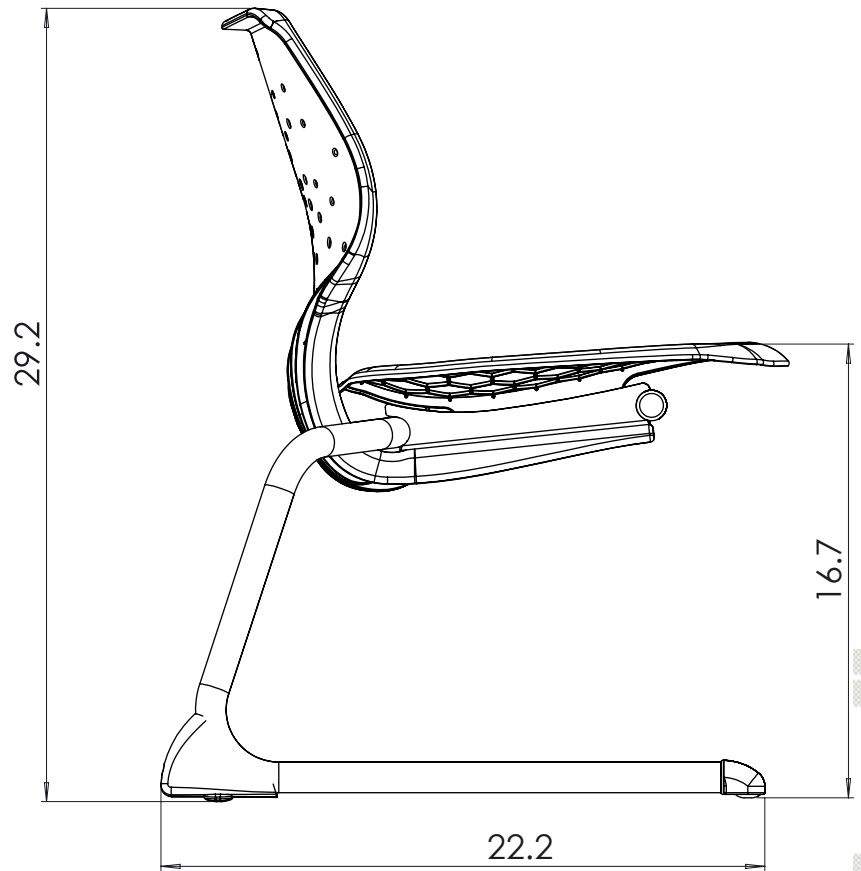
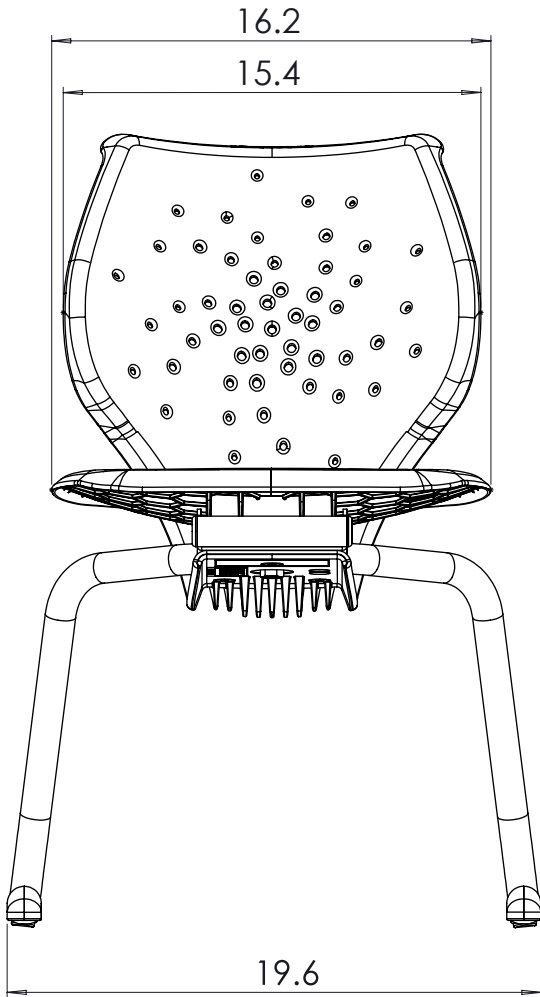
Compliance

- > Indoor Advantage™ Gold. Indoor air quality certified to SCS-EC10.3-2014z
- > Rated for use up to 300 lbs.
- > Tested to applicable ANSI/BIFMA Furniture Standards





NXT MOV[®] Seating Cantilever Chair



MODEL	SEAT HEIGHT"	SEAT WIDTH"	SEAT DEPTH"	CHAIR HEIGHT"	FRAME WIDTH"	FRAME DEPTH"
MSCL16	16.7"	16.2"	16.5"	29.2"	20.1"	22.2"
MSCL18	18.7"	16.2"	16.5"	31.2"	20.1"	23.2"

artcobell