

# Alphabet Swivel Stool

Alphabet seating is available in four-leg, four-leg caster, four-leg stool, cantilever, swivel task and swivel stool models. Also available with optional seat pad (ASST18-1).

## Poly Shell

Shell is one-piece structurally engineered injection-molded shell of polypropylene. Dual triangular internal support channels eliminate the need for any external surface support ribs or exposed tubing. Shell construction yields an extremely durable yet flexible shell with a clean and pleasing aesthetic. Patented shell geometry and design yields an extremely comfortable and ergonomic seat surface. 3.68"w x 1.06"h carrying handle shall be centered for best weight distribution and ease of use.

## Frame

A pneumatic adjustable column assembly is attached to the base and control assembly. The control assembly is constructed of two 3/16" steel straps that are fully welded to two 14-gauge U-channel support brackets for superior strength and durability. The frame support brackets attach to the poly seat shell using six (6) T-30 special wave-lock threaded screws for superior load bearing capacity, higher shear strength and better frame to shell retention. Frame is available black powder coat finish; completed after welding for improved aesthetics. The stool receives an adjustable 18" diameter foot ring located on the column assembly. Foot ring provides 10" adjustment range from 8" to 18" from the floor.

## Base

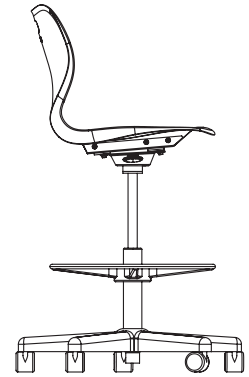
5-Star base is made of glass filled nylon and receives the adjustable column assembly and casters. Available in black or titanium.

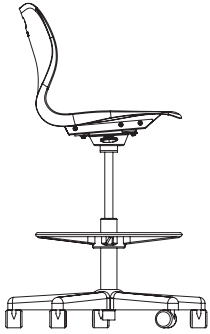
## Casters

Chair has five nylon dual-wheel hard casters. Also available with nylon bell glides.

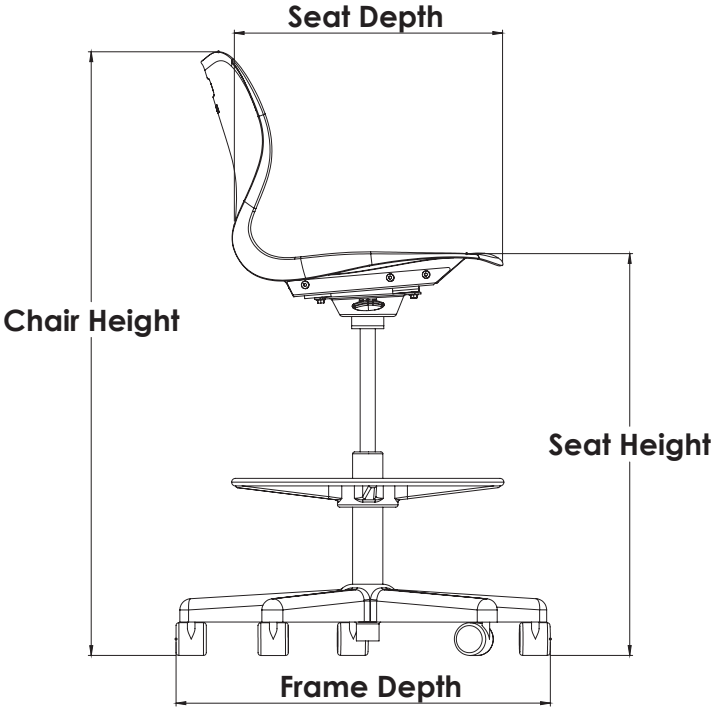
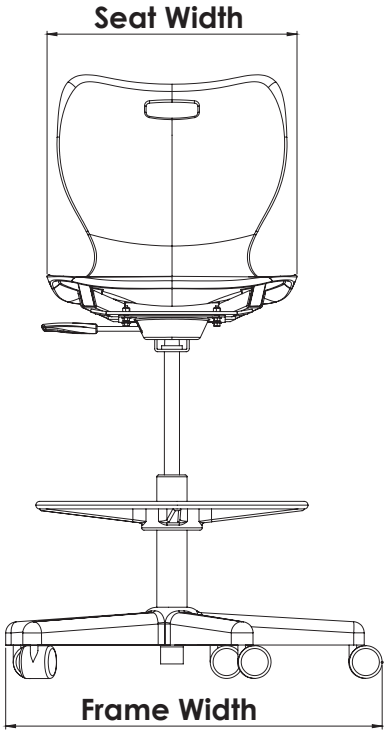
## Compliance

- > Rated for use up to 300lbs
- > Indoor Advantage™ Gold. Indoor air quality certified to SCS-EC10.3-2014
- > Tested to applicable ANSI/BIFMA Furniture Standards





# Alphabet Seating Swivel Stool



MODEL	SEAT HEIGHT"	SEAT WIDTH"	SEAT DEPTH"	CHAIR HEIGHT"	FRAME WIDTH"	FRAME DEPTH"
ASST18	22-32"	16.5"	17.4"	36-46"	28.0"	28.0"
ASST18-1	22-32"	16.5"	17.4"	36-46"	28.0"	28.0"

artcobell