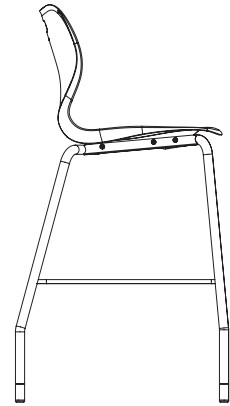


Alphabet Four Leg Stool

Four leg cafe models are available in 24" and 30" seat heights in poly shells.

Poly Shell

Shell is one-piece structurally engineered injection-molded shell of reinforced polypropylene. Dual triangular internal support channels eliminate the need for any external surface support ribs or exposed tubing. Shell construction yields an extremely durable yet flexible shell with a clean and pleasing aesthetic. Patented shell geometry and design yields an extremely comfortable and ergonomic seat surface. 3.68"w x 1.06"h carrying handle shall be centered for best weight distribution and ease of use.



Frame

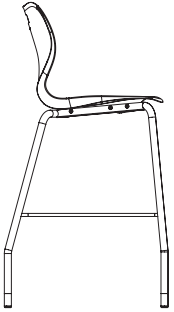
4-leg frame is constructed of 1" 14-gauge tubular steel front and rear legs are fully welded to two 14-gauge U-channel support brackets for superior strength and durability. The frame support brackets attach to the poly seat shell using six (6) T-30 special wave-lock threaded screws for superior load bearing capacity, higher shear strength and better frame to shell retention. Poly shell chairs are rated for use up to 300lbs. Frame is available in nickel chrome or powder coat finish; completed after welding for improved aesthetics. A fully wrapped 7/16" solid wire is fully welded adding additional support to the frame.

Glides

Standard with 1.0" diameter x 2.0" tall glide housing with a nylon base. Glides accept interchangeable snap-on glide caps to accommodate a variety of flooring surfaces. Designed to be easily removable by tool, glide caps may be changed or replaced. Glide caps are available in steel, felt, non-skid and full-surface nylon options.

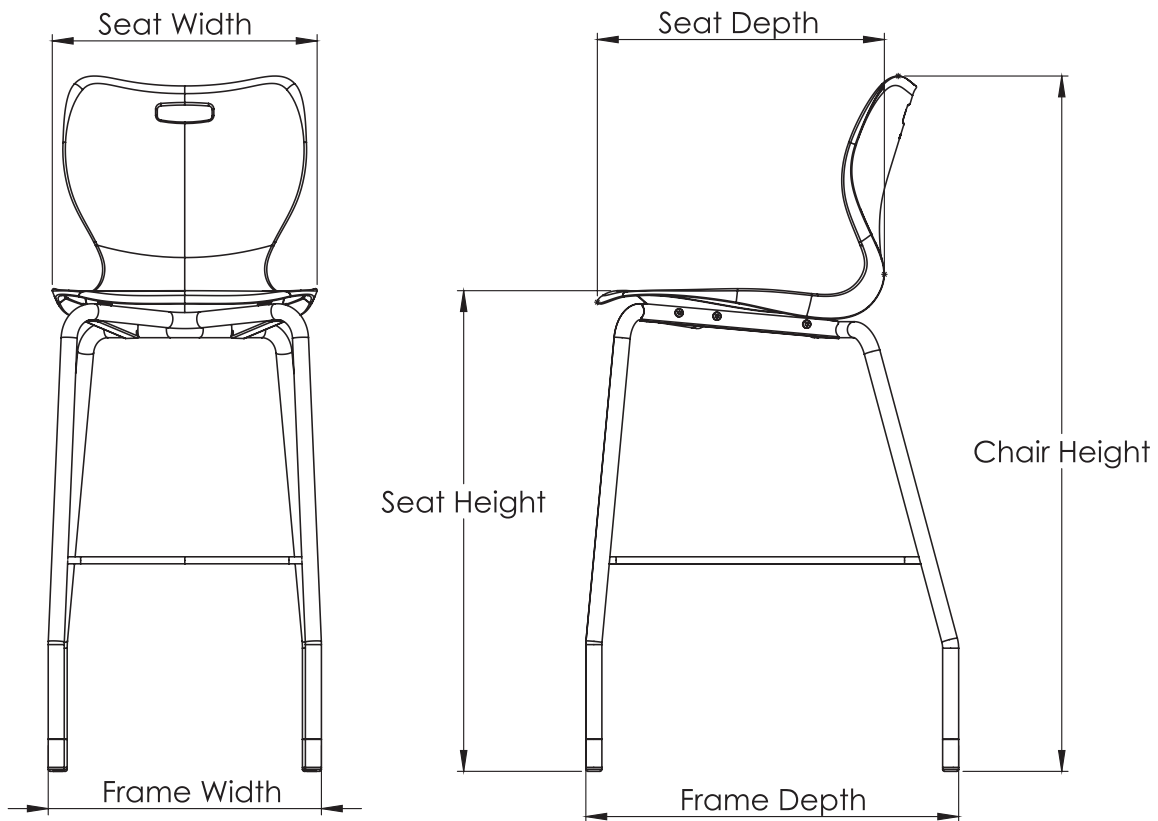
Compliance

- > Rate for use up to 300lbs
- > Indoor Advantage™ Gold. Indoor air quality certified to SCS-EC10.3-2014
- > Tested to applicable ANSI/BIFMA Furniture Standards



Alphabet Seating

Four Leg Stool



MODEL	SEAT HEIGHT"	SEAT WIDTH"	SEAT DEPTH"	CHAIR HEIGHT"	FRAME WIDTH"	FRAME DEPTH"
AS4ST24	24.0"	16.5"	17.5"	37.5"	16.5"	21.5"
AS4ST30	30.0"	16.5"	17.5"	43.5"	17.0"	23.5"
AS4ST24-1	24.0"	16.5"	17.5"	37.5"	16.5"	21.5"
AS4ST30-1	30.0"	16.5"	17.5"	43.5"	17.0"	23.5"