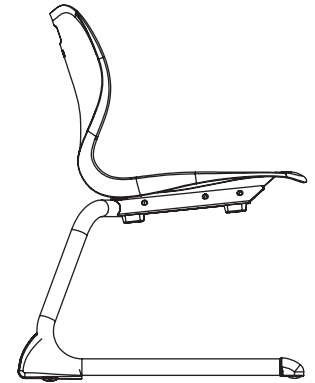


Alphabet Cantilever Chair

Alphabet Seating is available in four leg, four leg caster, cantilever, task and stool models. Cantilever models are available in 12", 14", 16" and 18" seat heights.

Poly Shell

Shell is one-piece structurally engineered injection-molded shell of polypropylene. Dual triangular internal support channels eliminate the need for any external surface support ribs or exposed tubing. Shell construction yields an extremely durable yet flexible shell with a clean and pleasing aesthetic. Patented shell geometry and design yields an extremely comfortable and ergonomic seat surface. 3.68" W x 1.06" H carrying handle shall be centered for best weight distribution and ease of use.



Frame

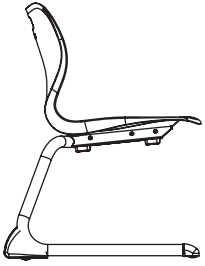
Cantilever frame is constructed of 11/8" 12-gauge tubular steel continuous one-piece leg is fully welded to two 13-gauge U-channel support brackets for superior strength and durability. 3/4" 14-gauge load tie-bar is welded to the support brackets and distributes weight laterally across the chair frame. Frame support brackets are attached to the seat shell using six (6) T-30 special wave-lock threaded screws for superior load bearing capacity, higher shear strength and better frame to shell retention. Four rubber bumpers are attached to the support bracket by #6 square drive screws. Bumpers provide additional protection to desk top surfaces when chairs are being stored. Frame is available in nickel chrome or powder coat finish; completed after welding for improved aesthetics.

Glides

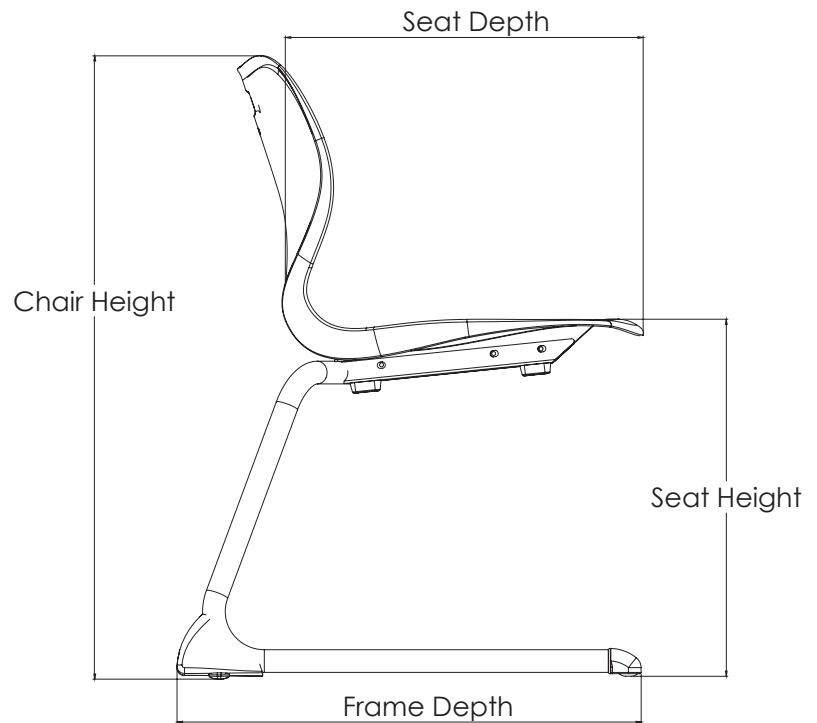
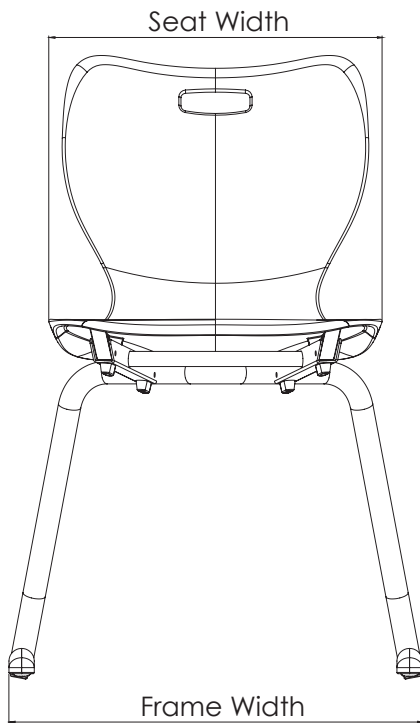
Toe glides provide support on the ends of the frame tubes and include a 5/16" adjustable nylon button glide for leveling on uneven surfaces. Two fixed anti-tip heels with nylon glides support the rear of the unit and prevent the shell from touching vertical surfaces. Glides are tool removable for replacement. Glide options include nylon, steel, felt and non-skid.

Compliance

- > Rate for use up to 300lbs
- > Indoor Advantage™ Gold. Indoor air quality certified to SCS-EC10.3-2014
- > Tested to applicable ANSI/BIFMA Furniture Standards



Alphabet Seating Cantilever Chair



MODEL	SEAT HEIGHT"	SEAT WIDTH"	SEAT DEPTH"	CHAIR HEIGHT"	FRAME WIDTH"	FRAME DEPTH"
ASCL12	12.0"	14.4"	15.5"	23.5"	16.75"	18.75"
ASCL14	14.0"	14.4"	15.5"	25.6"	17.5"	19.5"
ASCL16	16.0"	16.5"	17.4"	29.1"	19.75"	22.3"
ASCL18	18.0"	16.5"	17.4"	31.0"	20.5"	23.0"