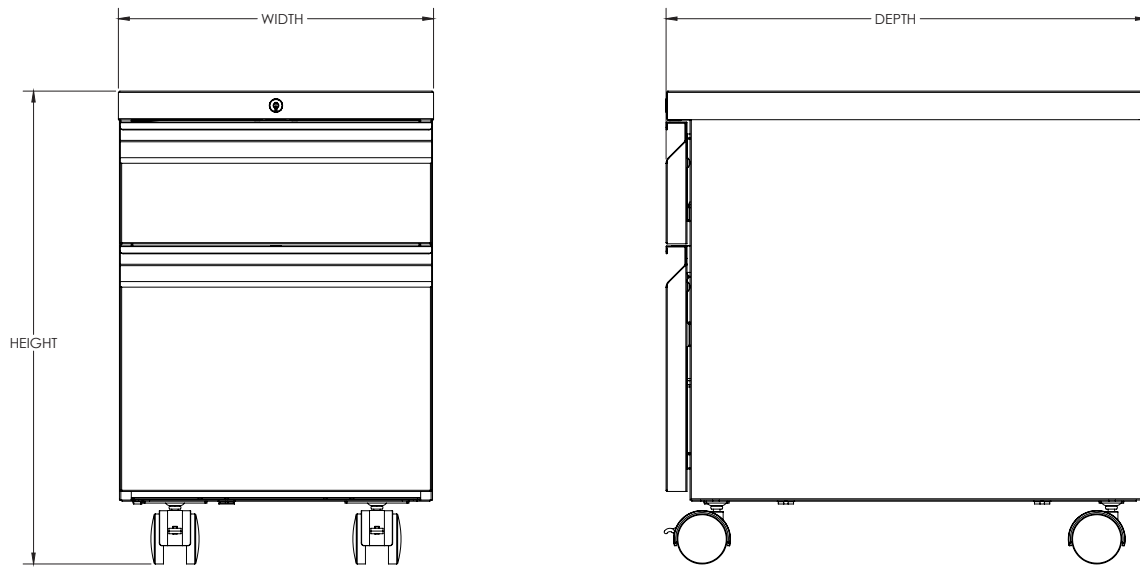


# Mobile Pedestal Box/File, Locking



MODEL	WIDTH "	DEPTH "	HEIGHT "
DPM-BFR.L.4	15.0"	22.9"	22.6"

## Steel Mobile Pedestals

Comes standard with one box and one file drawer. All models have locks. The file drawers have high sides for filing with hanging files. Mobile pedestals are 22 $\frac{7}{8}$ " deep , 14 $\frac{15}{16}$ " wide and 22" tall. The box drawer is 5 $\frac{7}{8}$ " tall and the file drawer is 11 $\frac{3}{4}$ " tall. The case includes a welded construction with a one piece side-back-side with formed edges and a double 'O'- frame inner framework. The drawers include double wall drawer slides and Tog-L-Loc drawer construction. Cross rails are included in each file drawer to side to side filing, constructed of high impact polystyrene, gray in color. The drawer slides are heavy duty full extension ball-bearing type construction. The locks are polished chrome interchangeable core removable. The cam lock activated horizontal and vertical lock bars which engage the left hand side of the drawer. Two keys per lock are supplied. Pencil Tray is standard in top box drawers. Casters are 60mm dual-wheel locking casters. Front casters are fixed and locking and the rear casters are swivel and non-locking. Casters ship un-installed and are assembled using a phillips head screwdriver. Counterweight ships installed for ultimate stability.