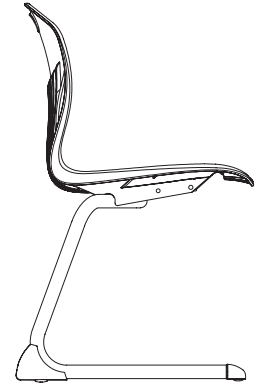


Discover Cantilever Chair

Discover cantilever chairs are available with seat heights and shell sizes of 18 ½" (A+) 18" (A), 16" (B) and 14" (C).

Shell

Shell is one-piece, injection-molded polypropylene with anti-static additive. Color is dispersed across the polypropylene for an even appearance. Enhanced waterfall front edge and biometric design allows comfortable seating. Contoured shell geometry allows rear facing seating position. Fifteen integrated wrap around ribs are provided for shell strength along with nesting scallops on both sides of shell that allow shell to nest and eliminate movement when stacked. Both sides of the shell are textured and constructed with a handle in the upper portion of the shell with smooth edges for ease when carrying. Shell is permanently attached to the frame with six non-load bearing steel rivets.



Frame

Frame is constructed of 1 ½" 12-gauge tubular steel and welded to two 13-gauge steel support braces with continuous welds. Three thermal plastic leveling bumpers protect the work surface when the chair is nested on the work surface. Frame is available in nickel chrome or powder coat finish; completed after welding for improved aesthetics.

Glides

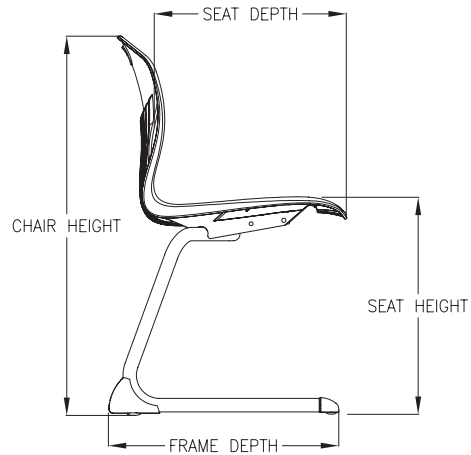
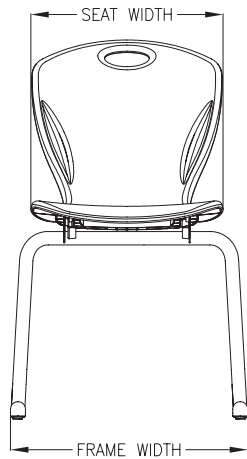
Toe provides support on the ends of the frame tubes and includes an adjustable nylon button glide for leveling on uneven surfaces. Two fixed anti-tipping heels with nylon inserts support the rear of the unit, preventing shell from touching vertical surfaces. Button inserts are tool removeable for replacement. Button inserts are available in nylon, steel, felt and non-skid materials.

Compliance

- > Rated for use up to 250lbs.
- > Indoor Advantage™ Gold. Indoor air quality certified to SCS-EC10.3-2014
- > Tested to applicable ANSI/BIFMA Furniture Standards



Discover Seating Cantilever Chair



MODEL	SEAT HEIGHT"	SEAT WIDTH"	SEAT DEPTH"	CHAIR HEIGHT"	FRAME WIDTH"	FRAME DEPTH"
D30C	14.0"	12.0"	11.25"	24.6"	17.25"	15.75"
D30B	16.0"	14.0"	13.5"	28.25"	18.5"	17.75"
D30A	18.0"	16.0"	16.0"	31.75"	19.85"	20.5"
D30X	18.0"	17.0"	17.5"	33.25"	20.71"	18.82"

artcobell