

# BARREL + BARREL SLANT

**Barrel Soft Seat** is a cylindrical shaped upholstered foam shape with one flat side, available in 4 heights (12", 14", 16" and 18"). Cover is not removable for cleaning. Accommodates up to 300 lb. weight capacity.

**Barrel Slant Soft Seat** is a cylindrical shaped upholstered foam shape with one flat side and two slanted ends, available in 4 heights (12", 14", 16" and 18"). Cover is not removable for cleaning. Accommodates up to 300 lb. weight capacity.

## Core Construction

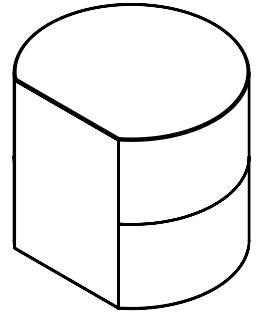
Cylindrical shape in ILD 95, high density foam

## Cover

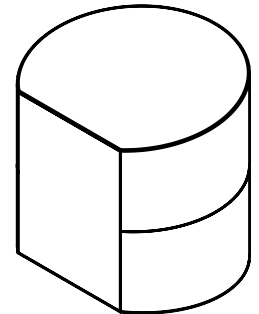
Cover may be specified in environmentally friendly wipe clean coated vinyl cap. A slip-resistant gripper vinyl can be added to the bottom cover piece.

## Compliance

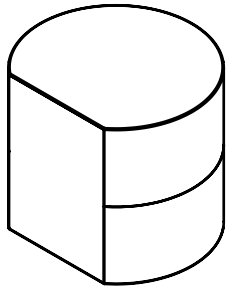
- > Meets or exceeds applicable BIFMA standards
- > Certified Indoor Advantage™ Gold. Indoor air quality certified to SCS-EC10.3-2014 V3.0. Registration #SCS-IAQ-03677



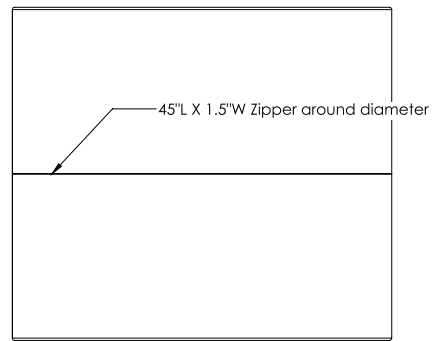
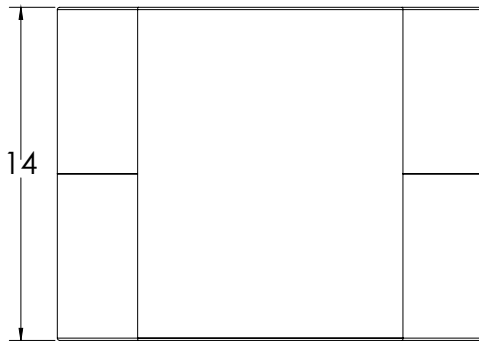
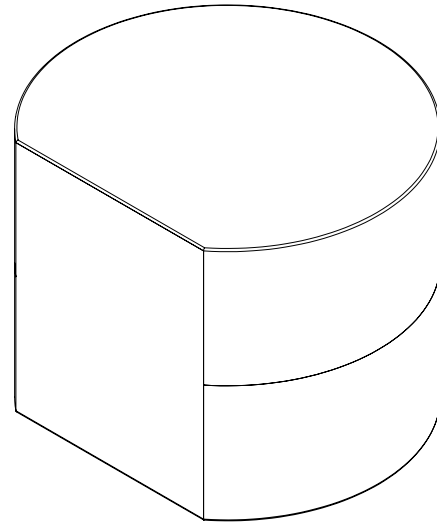
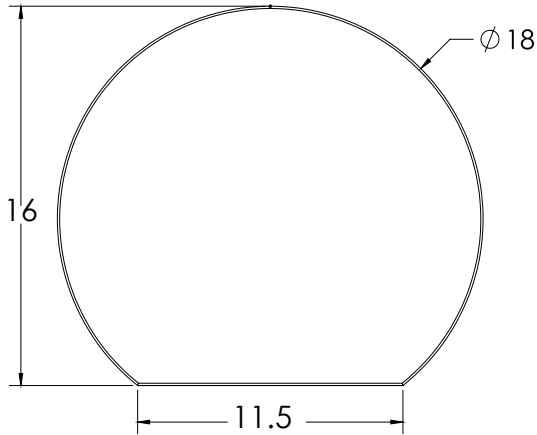
\* Barrel



\* Barrel Slant



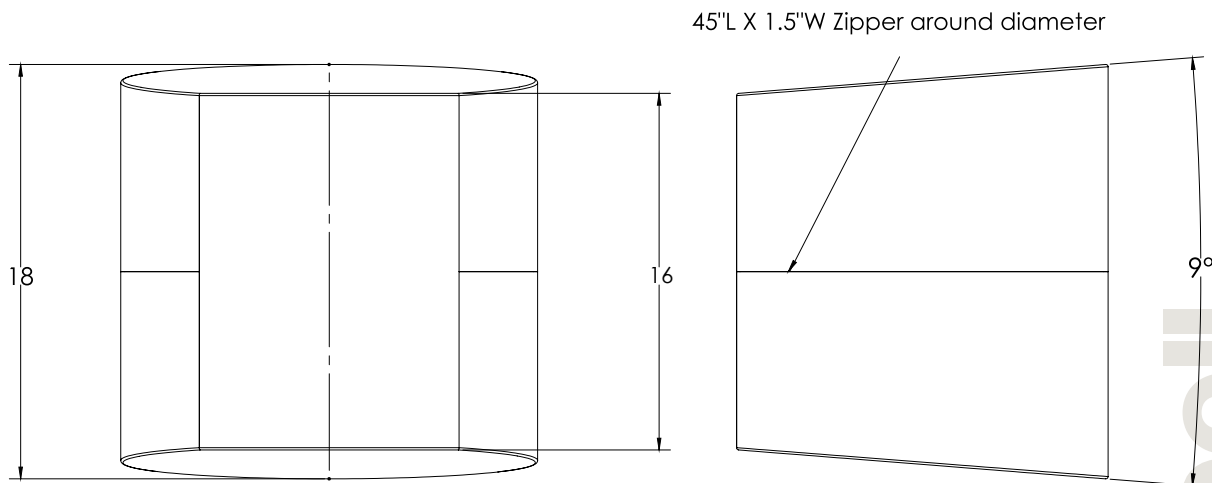
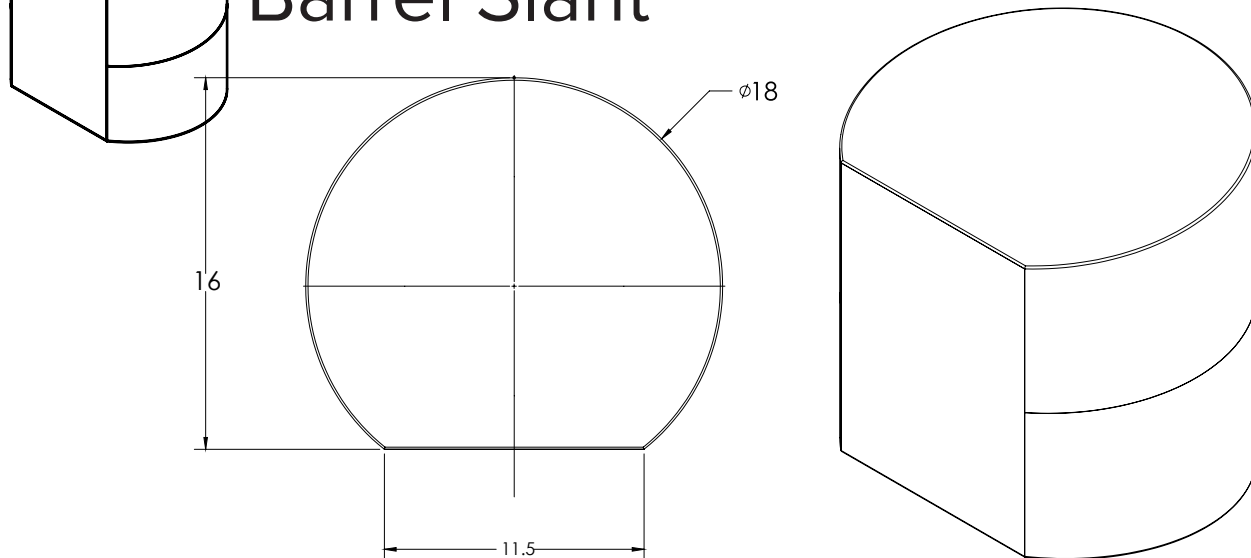
# Soft Seating Barrel



\* Model SS-BA14 shown

MODEL	DIAMETER"	WIDTH"	HEIGHT"
SS-BA12	18"	16" to flat side	12"
SS-BA14	18"	16" to flat side	14"
SS-BA16	18"	16" to flat side	16"
SS-BA18	18"	16" to flat side	18"
SS-BAG12	18"	16" to flat side	12"
SS-BAG14	18"	16" to flat side	14"
SS-BAG16	18"	16" to flat side	16"
SS-BAG18	18"	16" to flat side	18"

# Soft Seating Barrel Slant



\* Model SS-BAS18 shown

MODEL	DIAMETER"	WIDTH"	HEIGHT"
SS-BAS12	18"	16" to flat side	12"
SS-BAS14	18"	16" to flat side	14"
SS-BAS16	18"	16" to flat side	16"
SS-BAS18	18"	16" to flat side	18"
SS-BASG12	18"	16" to flat side	12"
SS-BASG14	18"	16" to flat side	14"
SS-BASG16	18"	16" to flat side	16"
SS-BASG18	18"	16" to flat side	18"