

LOUNGE

Upholstered sofas and chair with open space between back and seat in 24", 48" and 60" widths. Cover may be specified in vinyl and is not removable for cleaning. Accommodates up to 300 lb. weight capacity.

Seat frame

Industry leading all steel structure on solid wood base. Back receivers are 1-1/2" 16 gauge steel tube welded to 13 gauge base plate with 13 gauge support gussets, then powder coated and fastened with (9) #10x3/4" wood screws.

Back frame

Industry leading all steel structure. Inserts are 1-5/16" 16 gauge steel tube welded to a 12 gauge CNC-formed back hoop with 16 gauge cross bar for support. Back frame is then powder coated. Back is secured to couch base by two 3/8" bolts. Couch back is shipped knocked down to reduce shipping cubes. Assembles with two bolts.

Padding

Foam padding is 1.8/50 ILD foam over 1.8/90 ILD foam on seat and 1.8/34 ILD foam over 1/8/90 ILD foam on the back.

Cover

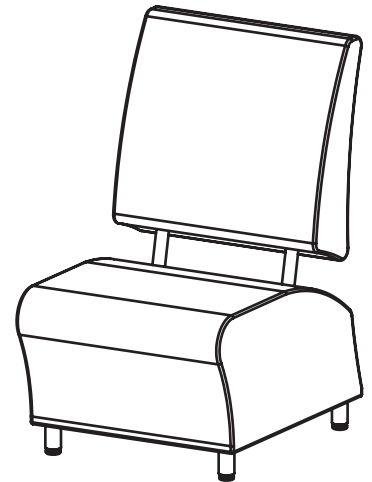
Cover may be specified in environmentally friendly wipe clean coated vinyl

Feet

1-3/4" steel with 3/8" stud and adjustable nylon glides.

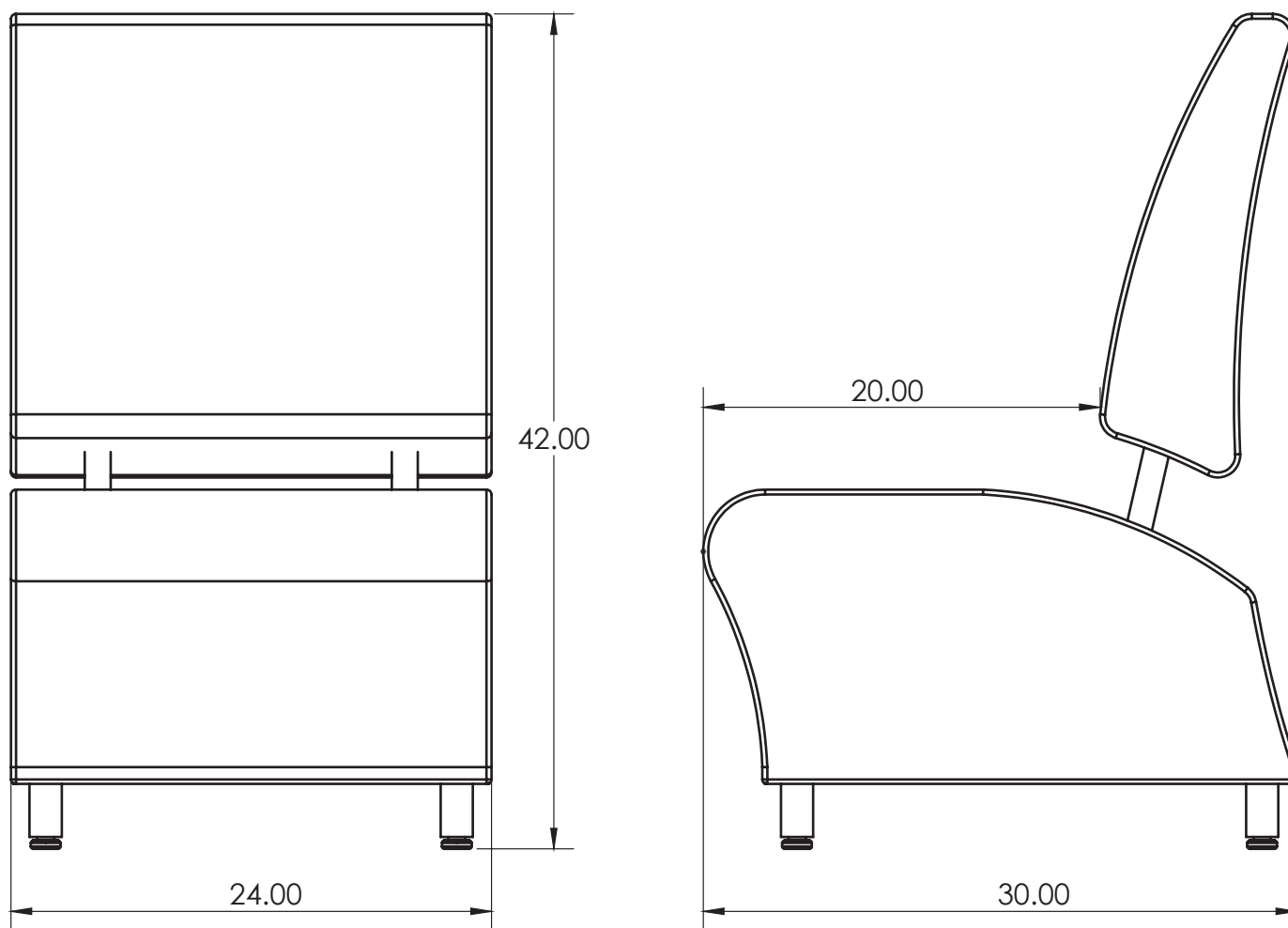
Compliance

- > Certified Indoor Advantage™ Gold. Indoor air quality certified to SCS-EC10.3-2014 V3.0. Registration #SCS-IAQ-03677
- > Indoor Advantage™ Gold. Indoor air quality certified to SCS-EC10.3-2014





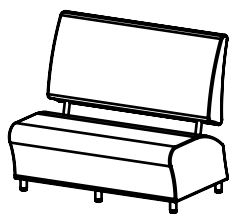
Soft Seating Lounge Chair



* Model SS-SB24 shown

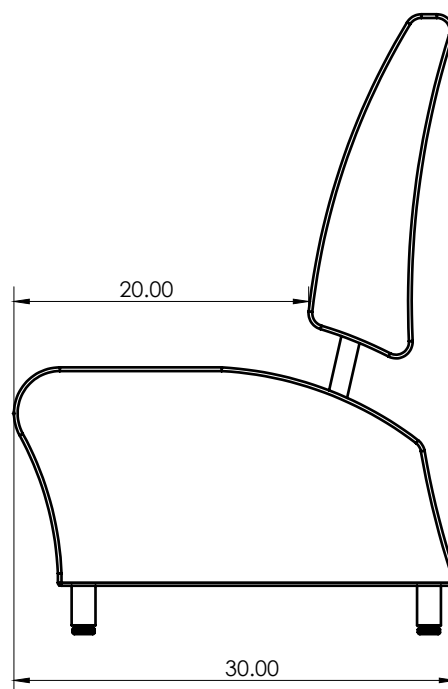
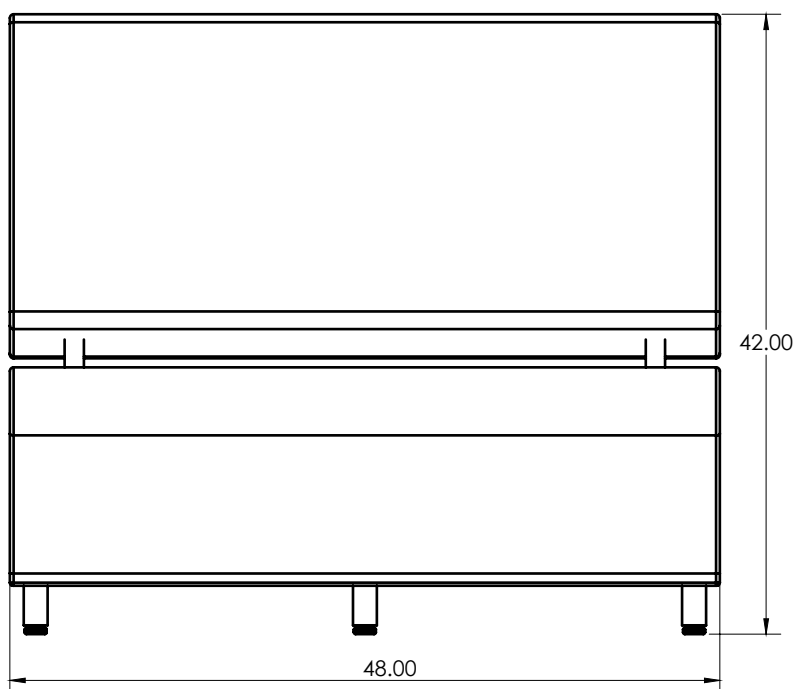
MODEL	WIDTH"	DEPTH"	HEIGHT"	SEAT DEPTH "
SS-SB24	24"	30"	42"	20"

artcobell



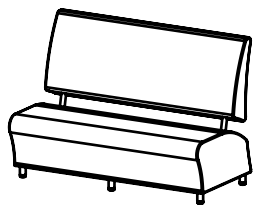
Soft Seating

Lounge Sofa 48"

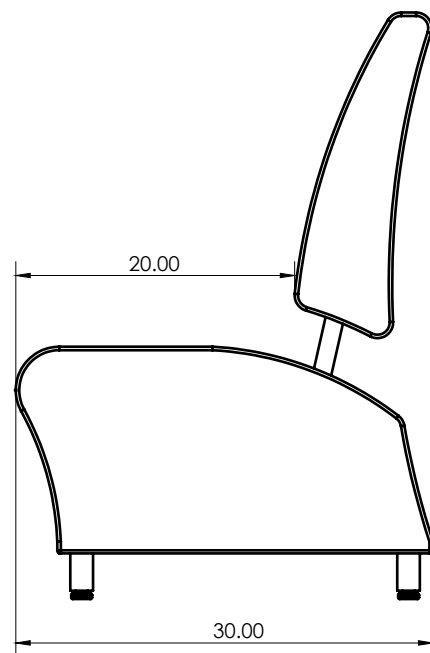
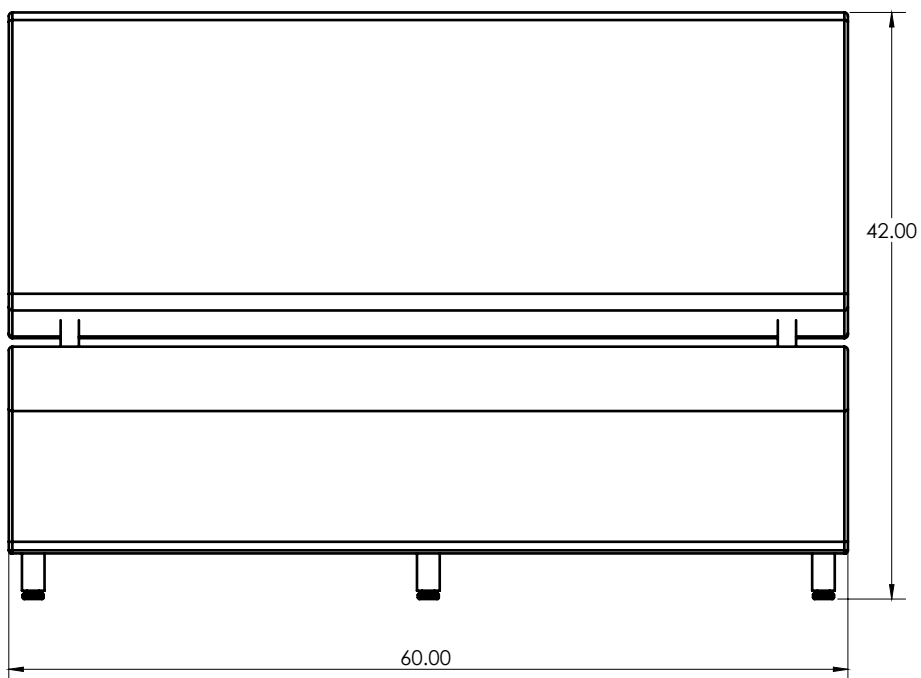


* Model SS-SB48 shown

MODEL	WIDTH"	DEPTH"	HEIGHT"	SEAT DEPTH "
SS-SB48	48"	30"	42"	20"



Soft Seating Lounge Sofa 60"



* Model SS-SB60 shown

MODEL	WIDTH"	DEPTH"	HEIGHT"	SEAT DEPTH "
SS-SB60	60"	30"	42"	20"

artcobell