

POLY MAX - DIRECT ATTACH: INSTALLATION INSTRUCTIONS

ATTENTION: If you have additional questions after reviewal of this manual please contact your local ASI representative or an ASI professional at our headquarters (952)448-5300

ASI MANUFACTURES DECORATIVE ACOUSTICAL PANELS AND PRODUCTS THAT MUST BE HANDLED WITH CARE. PRODUCTS SHOULD ONLY BE INSTALLED BY EXPERIENCED INSTALLERS.

RECEIVING

Prior to unpacking, check package for any obvious shipping damage. If no evidence of damage is present, move package to a dry/controlled area and inspect it for dents, breakage, or any lesser-noticeable damage that may affect enclosed panels. If damage has been identified, record it/photograph it, and open to inspect for concealed damage. If damage was transferred to the product, document/photograph the issues.

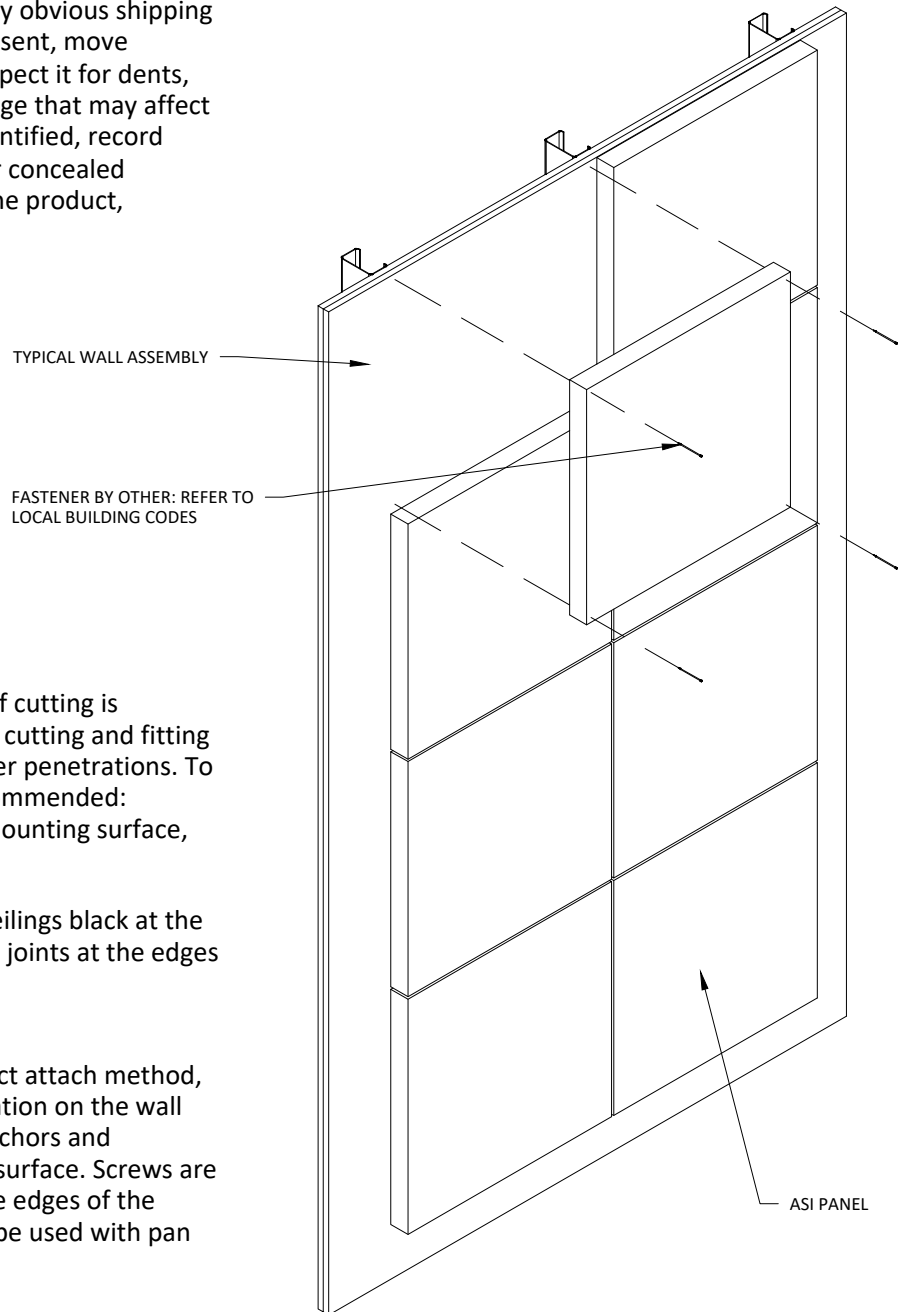
INSTALLATION

Good tools are needed to install panels if cutting is necessary. Care needs to be taken when cutting and fitting around windows, light switches and other penetrations. To achieve this, the following tools are recommended: anchors and fasteners appropriate for mounting surface, utility knife, drywall square

ASI recommends painting the walls or ceilings black at the perimeter to help conceal the expansion joints at the edges of the wall or ceiling system.

WALL INSTALLATION

To install Poly Max panels using the direct attach method, simply align the panel to it's desired location on the wall and screw the panel to the wall using anchors and fasteners appropriate for the mounting surface. Screws are to be placed a minimum of .75" from the edges of the panel. For a finished look, washers may be used with pan head screws.



POLY MAX - DIRECT ATTACH: INSTALLATION INSTRUCTIONS

ATTENTION: If you have additional questions after reviewal of this manual please contact your local ASI representative or an ASI professional at our headquarters (952)448-5300

ASI MANUFACTURES DECORATIVE ACOUSTICAL PANELS AND PRODUCTS THAT MUST BE HANDLED WITH CARE. PRODUCTS SHOULD ONLY BE INSTALLED BY EXPERIENCED INSTALLERS.

INSTALLATION

Good tools are needed to install panels if cutting is necessary. Care needs to be taken when cutting and fitting around windows, light switches and other penetrations. To achieve this, the following tools are recommended: anchors and fasteners appropriate for mounting surface, utility knife, drywall square

ASI recommends painting the walls or ceilings black at the perimeter to help conceal the expansion joints at the edges of the wall or ceiling system.

CEILING INSTALLATION

To install Poly Max panels using the direct attach method, simply align the panel to it's desired location on the ceiling and screw the panel to the ceiling using anchors and fasteners appropriate for the mounting surface. Screws are to be placed a minimum of .75" from the edges of the panel. For a finished look, washers may be used with pan head screws.

