

## Kawasaki Heavy Industries, Ltd

### Robot Business Division

#### Tokyo Head Office/Robot Division

1-14-5, Kaigan, Minato-ku, Tokyo 105-8315, Japan  
Phone: +81-3-3435-2501 Fax: +81-3-3437-9880

#### Akashi Works/Robot Division

1-1, Kawasaki-cho, Akashi, Hyogo 673-8666, Japan  
Phone: +81-78-921-2946 Fax: +81-78-923-6548

#### Nishi-Kobe Works/Robot Division

234, Matsumoto, Hasetani-cho, Nishi-ku, Kobe, Hyogo 651-2239, Japan  
Phone: +81-78-915-8247 Fax: +81-78-915-8239

#### Kawasaki Robotics website

<https://robotics.kawasaki.com/>



#### Kawasaki Robotics brand site XYZ

<https://robotics.kawasaki.com/ja1/xyz/en/>



#### Kawasaki Robostage (showroom)

<https://robotics.kawasaki.com/ja1/robostage/en.html>



### Global Network

#### Kawasaki Robotics (USA), Inc.

28140 Lakeview Drive, Wixom, MI 48393, U.S.A.  
Phone: +1-248-446-4100 Fax: +1-248-446-4200

#### Kawasaki Robotics (UK) Ltd.

Unit 4 Easter Court, Europa Boulevard, Westbrook  
Warrington Cheshire, WA5 7ZB, United Kingdom  
Phone: +44-1925-71-3000 Fax: +44-1925-71-3001

#### Kawasaki Robotics GmbH

Im Taubental 32, 41468 Neuss, Germany  
Phone: +49-2131-34260 Fax: +49-2131-3426-22

#### Kawasaki Robotics Korea, Ltd.

43, Namdong-daero 215beon-gil, Namdong-gu, Incheon,  
21633, Korea  
Phone: +82-32-821-6941 Fax: +82-32-821-6947

#### Kawasaki Robotics (Tianjin) Co., Ltd.

1-2/F, Building 6, No.19 Xinhuan Road, TEDA, China  
Phone: +86-22-5983-1888 Fax: +86-22-5983-1889

#### Taiwan Kawasaki Robot Center

3F, No.31, Ln.216, Gongyuan Rd., Hsinchu City  
30069, Taiwan(R.O.C)  
Phone: +886-3-562-0518

#### Kawasaki Motors Enterprise (Thailand) Co., Ltd.

(Rayong Robot Center)  
119/10 Moo 4 T.Pluaek Daeng, A.Pluaek Daeng, Rayong 21140  
Thailand  
Phone: +66-38-955-040-58 Fax: +66-38-955-145

#### Singapore Kawasaki Robot Center

100G Pasir Panjang Road #06-10  
Singapore 118523  
Phone: +65-6513-3145

#### Kawasaki Heavy Industries (India) Pvt. Ltd.

Robot Division  
Plot No. 136, Sector-37, Pace City 1,  
Gurgaon, 122101 Haryana, India  
Phone: +91-124-437-1845

# Kawasaki Robot Picking Robots

Small-to-medium robots  
up to 80kg payload

Large robots  
up to 300kg payload

Extra large robots  
up to 1,500kg payload

Dual-arm Collaborative robots

Explosion-proof painting robots

Sealing robots

Arc welding robots

Palletizing robots

Medical & pharmaceutical robots

Picking robots

Wafer transfer robots

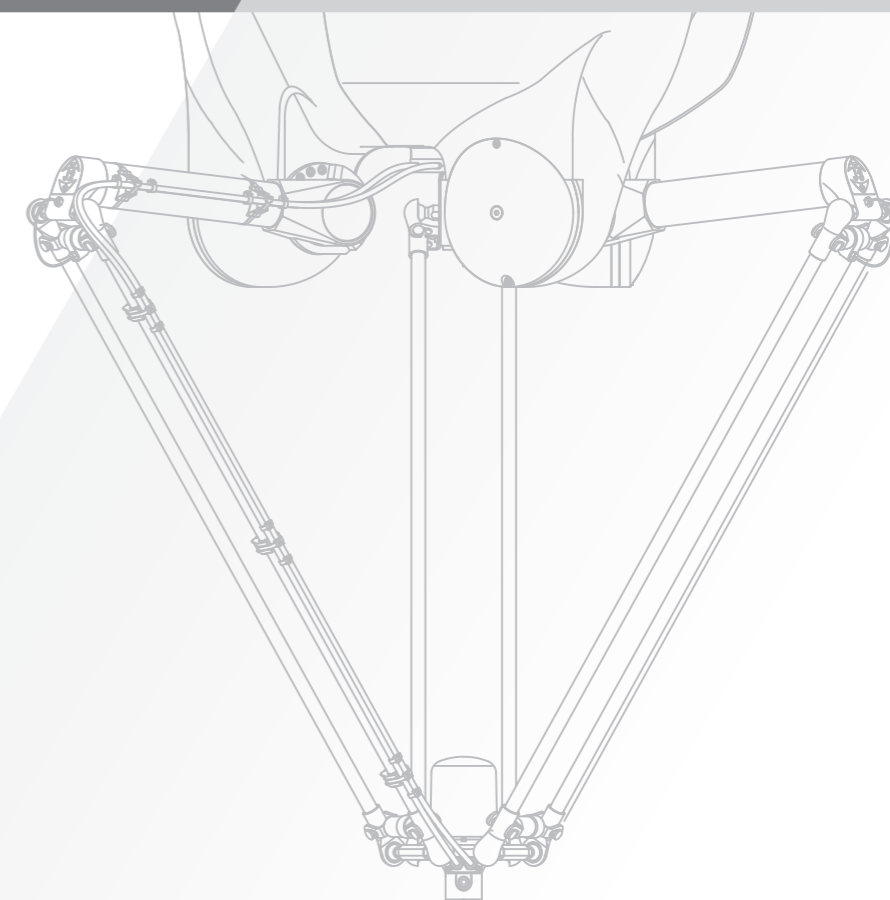


#### CAUTIONS TO BE TAKEN TO ENSURE SAFETY

- For those persons involved with the operation / service of your system, including Kawasaki Robot, they must strictly observe all safety regulations at all times. They should carefully read the Manuals and other related safety documents.
- Products described in this catalogue are general industrial robots. Therefore, if a customer wishes to use the Robot for special purposes, which might endanger operators or if the Robot has any problems, please contact us. We will be pleased to help you.
- Be careful as Photographs illustrated in this catalogue are frequently taken after removing safety fences and other safety devices stipulated in the safety regulations from the Robot operation system.



ISO certified in Akashi Works and Nishi-Kobe Works.



# Picking Robots

The Y series pick & place robots are used in food, pharmaceutical, cosmetic, electric, electronics and machine parts industries.  
The YF002N is compact, while the YF003N has a long motion range.

## YF series



YF003N

### [Applications]



Assembling Handling

### Features

- The compact YF002N and long motion-range YF003N achieve high-speed pick & place. Both models use grease and oil for food-processing machinery.
- Wash-down with acid or alkaline cleanser is possible (the YF003N).

## Controller

# F01

### Features

- The F01 controller has common specifications to be used globally.
- Performance and expandability have been greatly enhanced from its previous E-controller. Yet, the size and weight are much smaller.

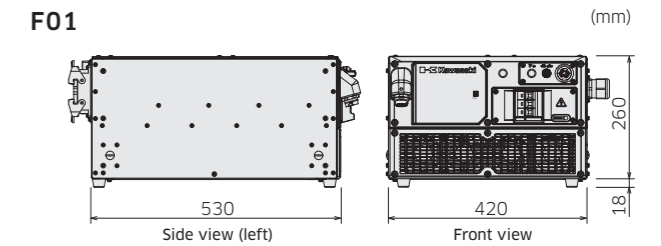


### Standard Specifications

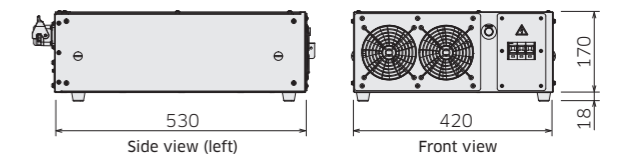
Dimensions (mm)	W420×D530×H278	
Type	Enclosed type, indirect cooling system (IP54 or equivalent)	
Controlled (axes)	6	
Memory capacity (MB)	16	
I/O signals	External operation	Motor power off, Hold
	Input (Channels)	32
Cable length	Output (Channels)	32
	Teach pendant (m)	5
Mass (kg)	Robot-controller (m)	5
		20
Power requirements	AC200V - AC220V ±10%, 50/60Hz, 3Φ AC200V - AC230V ±10%, 50/60Hz, 1Φ *1 Max. 5.6kVA	
Installation environment	Ambient temperature (°C)	0 - 45
	Relative humidity (%)	35 - 85 (No dew, nor frost allowed)
Teach pendant	Color LCD display with touch-panel, E-Stop switch, Teach lock switch, Enable switch	
Operation panel	E-stop switch, teach/repeat switch	

\*1: 200V single phase is available for some robot models only.

### External view and Dimensions



### Transformer unit \*Option

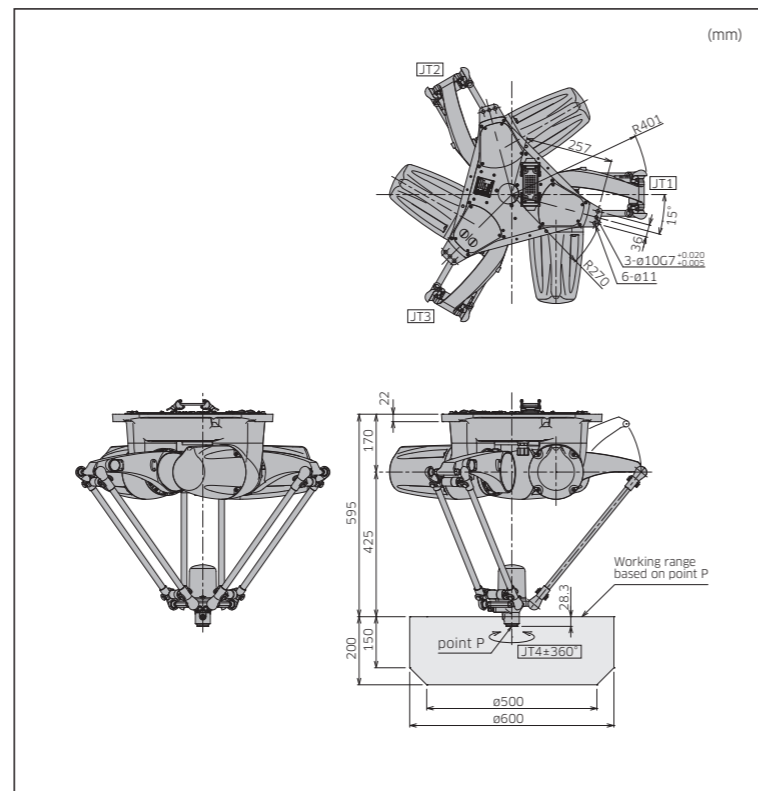


## YF002N

### Standard Specifications

Type	Parallel link type	
Degree of freedom (axes)	4	
Payload (kg)	2	
Position repeatability*1 (mm)	±0.04	
Angular repeatability (°)	±0.1	
Motion range (mm)	φ600×H200	
Cycle Time*2 (Payload)	0.3s (0.5kg), 0.36s (2kg)	
Mass (kg)	60	
Mounting	Ceiling	
Installation environment	Ambient temperature (°C)	10 - 35
	Relative humidity (%)	35 - 85 (No dew, nor frost allowed)
Degree of protection	IP65 or equivalent	
Controller/Power requirements	F01/5.6 kVA	

\*1: Conforms to ISO9283  
\*2: Motion Pattern (25mm up, 305mm horizontal, 25mm down in a to-and-fro motion)



## YF003N

### Standard Specifications

Type	Parallel link type	
Degree of freedom (axes)	4	
Payload (kg)	3	
Position repeatability*1 (mm)	±0.1	
Angular repeatability (°)	±0.1	
Motion range (mm)	φ1,300×H500	
Cycle Time*2 (Payload)	0.27s (1kg), 0.45s (3kg)	
Mass (kg)	145	
Mounting	Ceiling	
Installation environment	Ambient temperature (°C)	0 - 45
	Relative humidity (%)	35 - 85 (No dew, nor frost allowed)
Degree of protection	IP65 or equivalent	
Controller/Power requirements	F01/5.6kVA	

\*1: Conforms to ISO9283  
\*2: Motion Pattern (25mm up, 305mm horizontal, 25mm down in a to-and-fro motion)

