

## Kawasaki Heavy Industries, Ltd

### Robot Business Division

#### Tokyo Head Office/Robot Division

1-14-5, Kaigan, Minato-ku, Tokyo 105-8315, Japan  
Phone: +81-3-3435-2501 Fax: +81-3-3437-9880

#### Akashi Works/Robot Division

1-1, Kawasaki-cho, Akashi, Hyogo 673-8666, Japan  
Phone: +81-78-921-2946 Fax: +81-78-923-6548

#### Nishi-Kobe Works/Robot Division

234, Matsumoto, Hasetani-cho, Nishi-ku, Kobe, Hyogo 651-2239, Japan  
Phone: +81-78-915-8247 Fax: +81-78-915-8239

#### Kawasaki Robotics website

<https://robotics.kawasaki.com/>



#### Kawasaki Robotics brand site XYZ

<https://robotics.kawasaki.com/ja1/xyz/en/>



#### Kawasaki Robostage (showroom)

<https://robotics.kawasaki.com/ja1/robostage/en.html>



### Global Network

#### Kawasaki Robotics (USA), Inc.

28140 Lakeview Drive, Wixom, MI 48393, U.S.A.  
Phone: +1-248-446-4100 Fax: +1-248-446-4200

#### Kawasaki Robotics (UK) Ltd.

Unit 4 Easter Court, Europa Boulevard, Westbrook  
Warrington Cheshire, WA5 7ZB, United Kingdom  
Phone: +44-1925-71-3000 Fax: +44-1925-71-3001

#### Kawasaki Robotics GmbH

Im Taubental 32, 41468 Neuss, Germany  
Phone: +49-2131-34260 Fax: +49-2131-3426-22

#### Kawasaki Robotics Korea, Ltd.

43, Namdong-daero 215beon-gil, Namdong-gu, Incheon,  
21633, Korea  
Phone: +82-32-821-6941 Fax: +82-32-821-6947

#### Kawasaki Robotics (Tianjin) Co., Ltd.

1-2/F, Building 6, No.19 Xinhuan Road, TEDA, China  
Phone: +86-22-5983-1888 Fax: +86-22-5983-1889

#### Taiwan Kawasaki Robot Center

3F, No.31, Ln.216, Gongyuan Rd., Hsinchu City  
30069, Taiwan(R.O.C)  
Phone: +886-3-562-0518

#### Kawasaki Motors Enterprise (Thailand) Co., Ltd.

(Rayong Robot Center)  
119/10 Moo 4 T.Pluaek Daeng, A.Pluaek Daeng, Rayong 21140  
Thailand  
Phone: +66-38-955-040-58 Fax: +66-38-955-145

#### Singapore Kawasaki Robot Center

100G Pasir Panjang Road #06-10  
Singapore 118523  
Phone: +65-6513-3145

#### Kawasaki Heavy Industries (India) Pvt. Ltd.

Robot Division  
Plot No. 136, Sector-37, Pace City 1,  
Gurgaon, 122101 Haryana, India  
Phone: +91-124-437-1845



#### CAUTIONS TO BE TAKEN TO ENSURE SAFETY

- For those persons involved with the operation / service of your system, including Kawasaki Robot, they must strictly observe all safety regulations at all times. They should carefully read the Manuals and other related safety documents.
- Products described in this catalogue are general industrial robots. Therefore, if a customer wishes to use the Robot for special purposes, which might endanger operators or if the Robot has any problems, please contact us. We will be pleased to help you.
- Be careful as Photographs illustrated in this catalogue are frequently taken after removing safety fences and other safety devices stipulated in the safety regulations from the Robot operation system.



ISO certified in Akashi Works and Nishi-Kobe Works.

# Kawasaki Robot

## Extra Large Robots up to 1500kg payload

Small-to-medium robots  
up to 80kg payload

Large robots  
up to 300kg payload

Extra large robots  
up to 1,500kg payload

Dual-arm Collaborative robots

Explosion-proof painting robots

Sealing robots

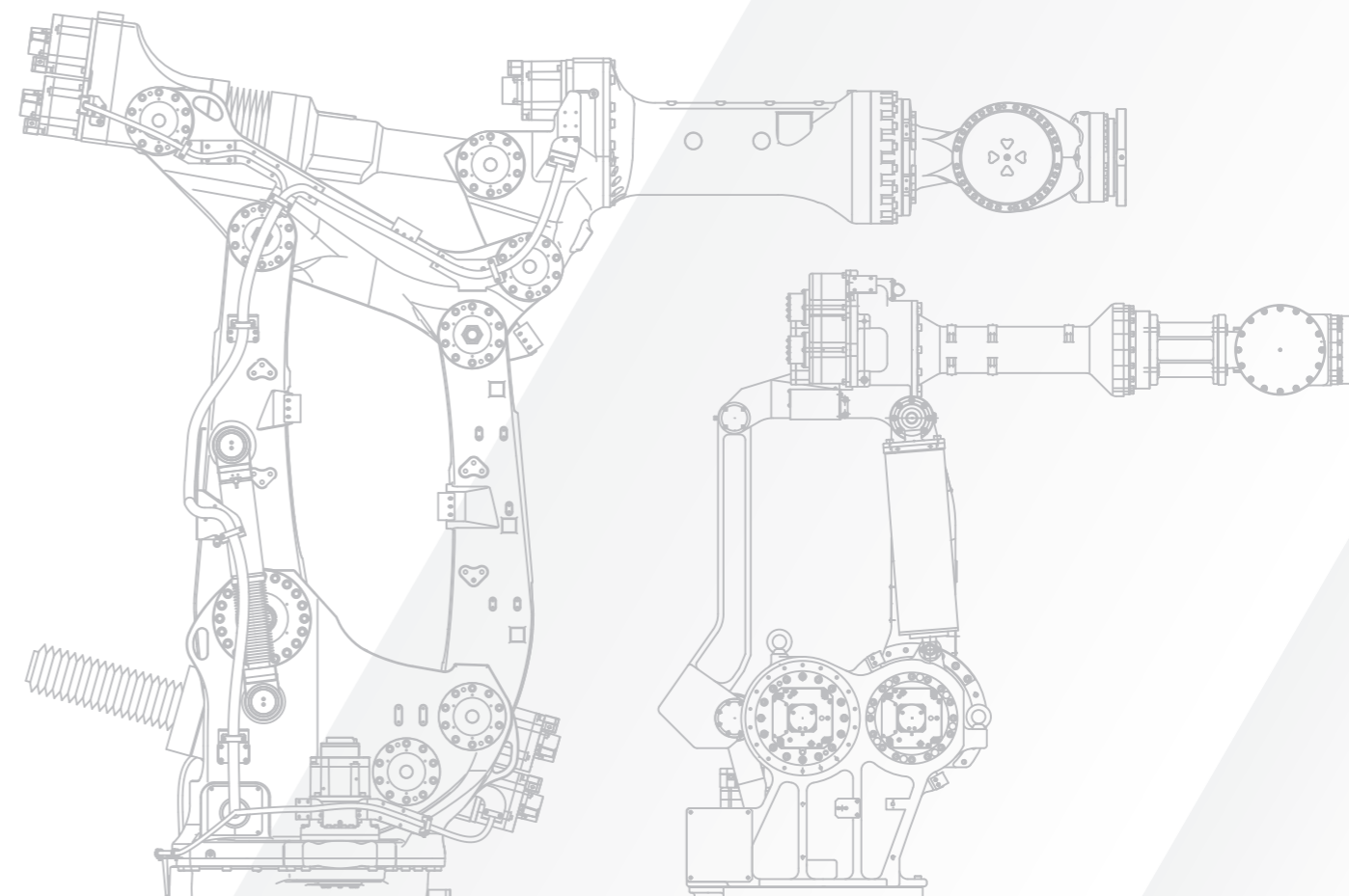
Arc welding robots

Palletizing robots

Medical & pharmaceutical robots

Picking robots

Wafer transfer robots



# Extra large general-purpose robots

M series extra large robots incorporate Kawasaki's experience and state-of-art technologies.

With a maximum payload of 1,500kg, M series robots can give it the power to lift and manipulate heavy loads such as automobile bodies.

Thanks to Kawasaki's patented link mechanism, the compact robots have payload capacity of up to 1,500 kg with high position repeatability.

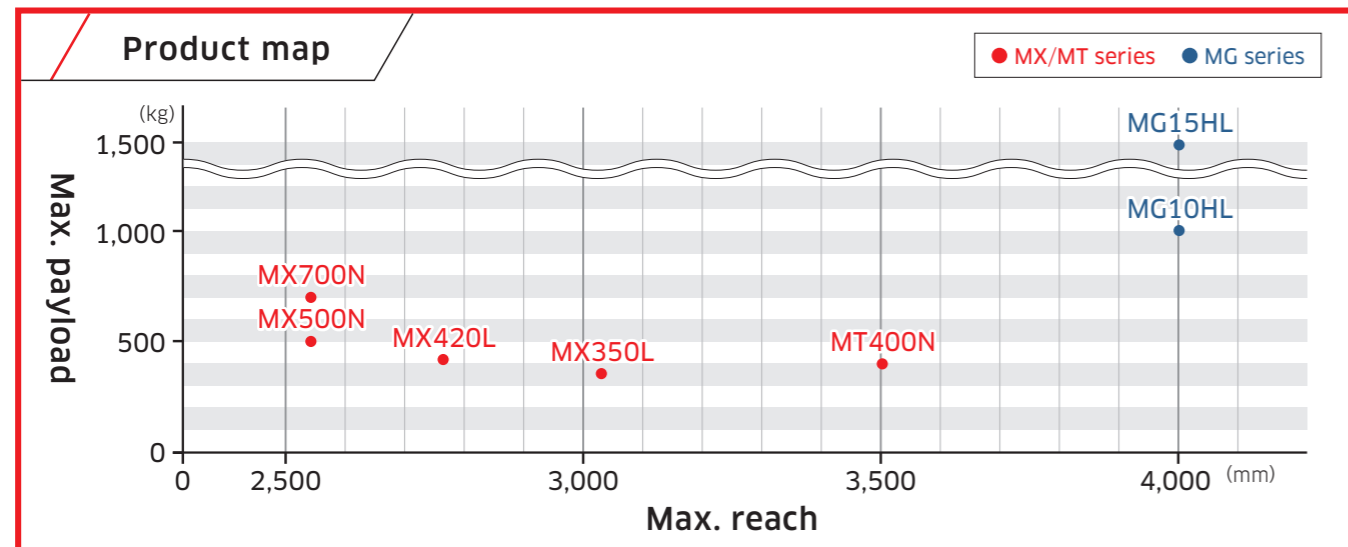
## MX/MT series

Kawasaki's original link structure for JT3 (arm up-down) achieves compact, yet high payload capacity up to 700 kg.



## MG series

The MG series is equipped with Kawasaki's original hybrid link structure, ball screws and two large motors for JT3 (arm up-down) to achieve a slim body without a counter weight. It offers a wide motion range and high position repeatability, suitable for handling heavy workpieces.



# MX/MT/MG シリーズ



### Features

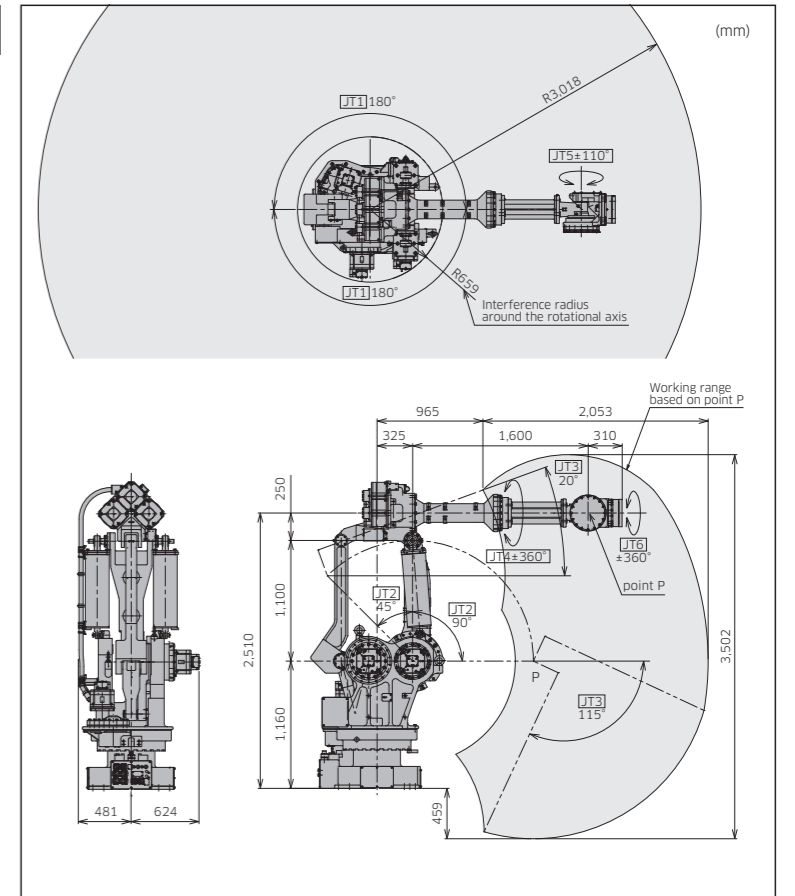
- Maximum payload of up to 1,500 kg allows for transfer of heavy workpieces.
- Dynamic and accurate tasks are possible thanks to high position repeatability.
- Slim body without a counter weight achieves wide motion ranges and high rigidity (MG10HL/MG15HL).

## MX350L

### Standard Specifications

Type		Articulated robot
Degree of freedom (axes)		6
Payload (kg)		350
Max. reach (mm)		3,018
Position repeatability*1 (mm)		±0.1
Motion range (°)	Arm rotation (JT1)	±180
	Arm out-in (JT2)	+90 - -45
	Arm up-down (JT3)	+20 - -115
	Wrist swivel (JT4)	±360
	Wrist bend (JT5)	±110
	Wrist twist (JT6)	±360
Max. speed (°/s)	Arm rotation (JT1)	80
	Arm out-in (JT2)	70
	Arm up-down (JT3)	70
	Wrist swivel (JT4)	80
	Wrist bend (JT5)	80
	Wrist twist (JT6)	120
Allowable moment (N·m)	Wrist swivel (JT4)	2,740
	Wrist bend (JT5)	2,740
	Wrist twist (JT6)	1,960
Allowable moment of inertia (kg·m <sup>2</sup> )	Wrist swivel (JT4)	400
	Wrist bend (JT5)	400
	Wrist twist (JT6)	259
Mass (kg)		2,800
Mounting		Floor
Installation environment	Ambient temperature (°C)	0 - 45
	Relative humidity (%)	35 - 85 (No dew, nor frost allowed)
Controller/Power requirements		F04/12kVA

\*1: Conforms to ISO9283

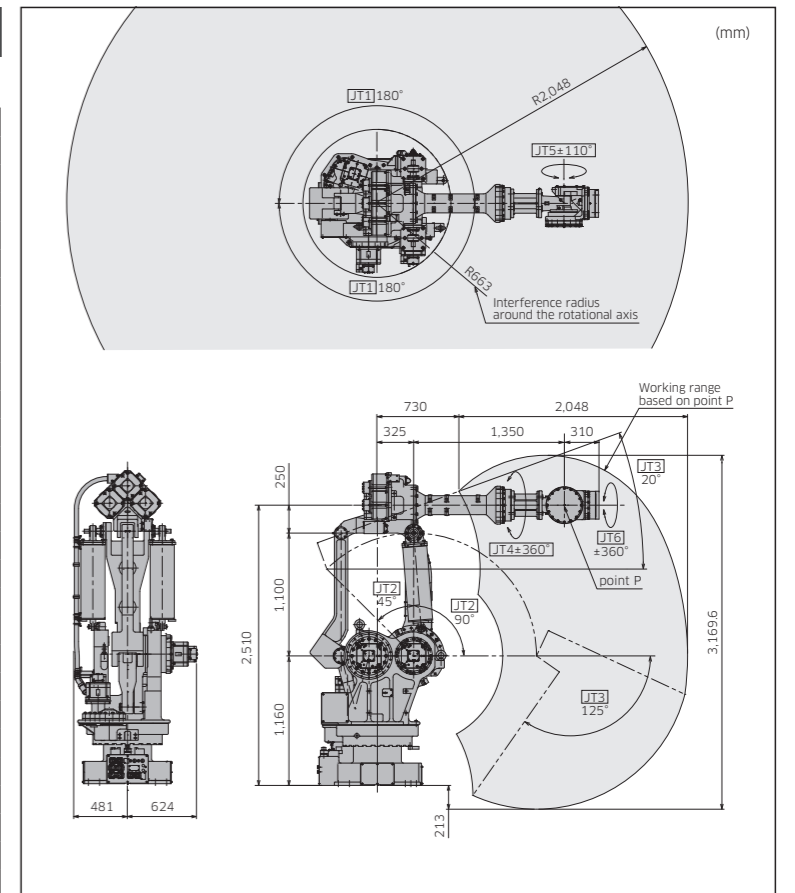


## MX420L

### Standard Specifications

Type		Articulated robot
Degree of freedom (axes)		6
Payload (kg)		420
Max. reach (mm)		2,778
Position repeatability*1 (mm)		±0.1
Motion range (°)	Arm rotation (JT1)	±180
	Arm out-in (JT2)	+90 - -45
	Arm up-down (JT3)	+20 - -125
	Wrist swivel (JT4)	±360
	Wrist bend (JT5)	±110
	Wrist twist (JT6)	±360
Max. speed (°/s)	Arm rotation (JT1)	80
	Arm out-in (JT2)	70
	Arm up-down (JT3)	70
	Wrist swivel (JT4)	80
	Wrist bend (JT5)	80
	Wrist twist (JT6)	120
Allowable moment (N·m)	Wrist swivel (JT4)	3,290
	Wrist bend (JT5)	3,290
	Wrist twist (JT6)	1,960
Allowable moment of inertia (kg·m <sup>2</sup> )	Wrist swivel (JT4)	400
	Wrist bend (JT5)	400
	Wrist twist (JT6)	259
Mass (kg)		2,800
Mounting		Floor
Installation environment	Ambient temperature (°C)	0 - 45
	Relative humidity (%)	35 - 85 (No dew, nor frost allowed)
Controller/Power requirements		F04/12kVA

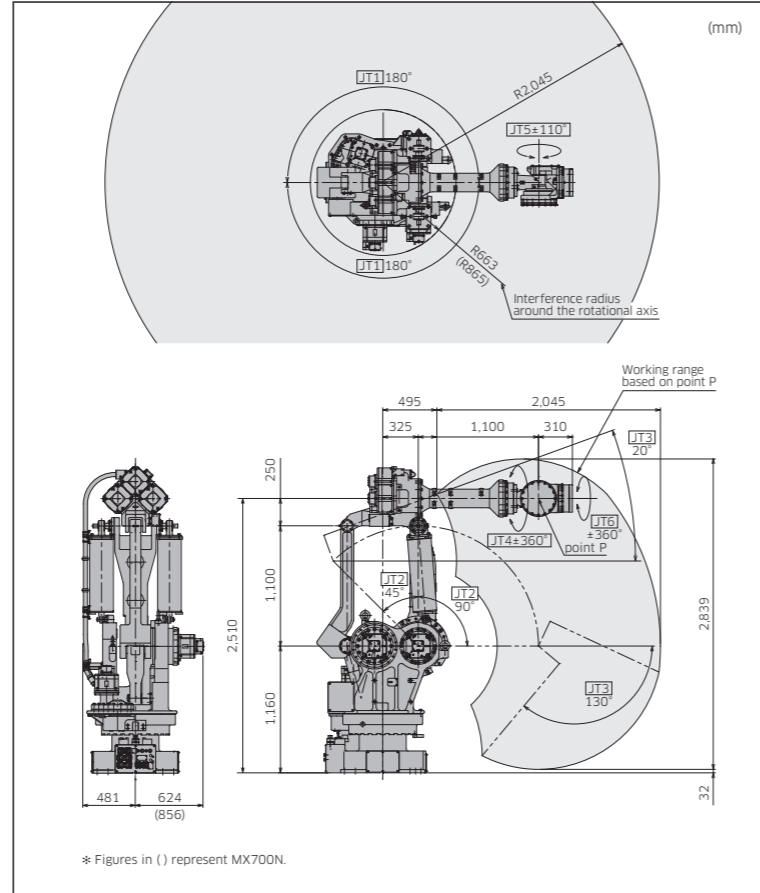
\*1: Conforms to ISO9283



## MX500N/MX700N

### Standard Specifications

Type	Articulated robot	
Degree of freedom (axes)	6	
Payload (kg)	500/700	
Max. reach (mm)	2,540	
Position repeatability*1 (mm)	±0.1	
Motion range (°)	Arm rotation (JT1)	±180
	Arm out-in (JT2)	+90 - -45
	Arm up-down (JT3)	+20 - -130
	Wrist swivel (JT4)	±360
	Wrist bend (JT5)	±110
	Wrist twist (JT6)	±360
Max. speed (°/s)	Arm rotation (JT1)	80/65
	Arm out-in (JT2)	70/50
	Arm up-down (JT3)	70/45
	Wrist swivel (JT4)	80/50
	Wrist bend (JT5)	80/50
	Wrist twist (JT6)	120/95
Allowable moment (N·m)	Wrist swivel (JT4)	3,920/5,488
	Wrist bend (JT5)	3,920/5,488
	Wrist twist (JT6)	1,960/2,744
Allowable moment of inertia (kg·m <sup>2</sup> )	Wrist swivel (JT4)	400/600
	Wrist bend (JT5)	400/600
	Wrist twist (JT6)	259/388
Mass (kg)	2,750/2,860	
Mounting	Floor	
Installation environment	Ambient temperature (°C)	0 - 45
	Relative humidity (%)	35 - 85 (No dew, nor frost allowed)
Controller/Power requirements	F04/12KVA	

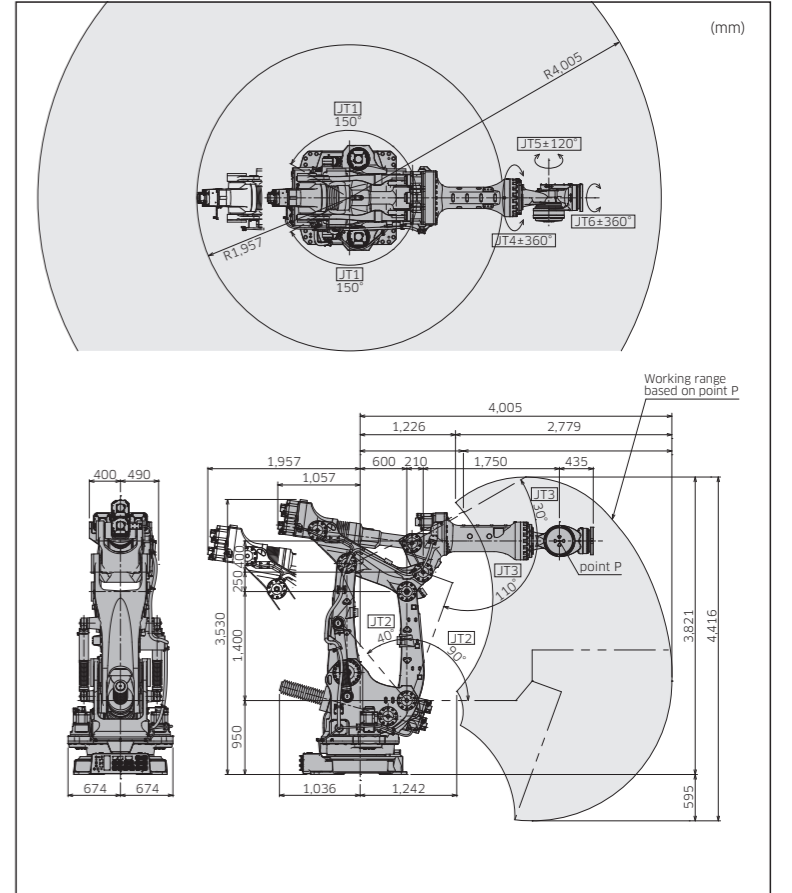


\*1: Conforms to ISO9283

## MG10HL

### Standard Specifications

Type	Articulated robot	
Degree of freedom (axes)	6	
Payload (kg)	1,000	
Max. reach (mm)	4,005	
Position repeatability*1 (mm)	±0.1	
Motion range (°)	Arm rotation (JT1)	±150
	Arm out-in (JT2)	+90 - -40
	Arm up-down (JT3)	+30 - -110
	Wrist swivel (JT4)	±360
	Wrist bend (JT5)	±120
	Wrist twist (JT6)	±360
Max. speed (°/s)	Arm rotation (JT1)	65
	Arm out-in (JT2)	33.5
	Arm up-down (JT3)	37.5
	Wrist swivel (JT4)	65
	Wrist bend (JT5)	65
	Wrist twist (JT6)	80
Allowable moment (N·m)	Wrist swivel (JT4)	8,800
	Wrist bend (JT5)	8,800
	Wrist twist (JT6)	4,410
Allowable moment of inertia (kg·m <sup>2</sup> )	Wrist swivel (JT4)	1,800
	Wrist bend (JT5)	1,800
	Wrist twist (JT6)	1,200
Mass (kg)	6,500	
Mounting	Floor	
Installation environment	Ambient temperature (°C)	0 - 45
	Relative humidity (%)	35 - 85 (No dew, nor frost allowed)
Controller/Power requirements	E58/15KVA	

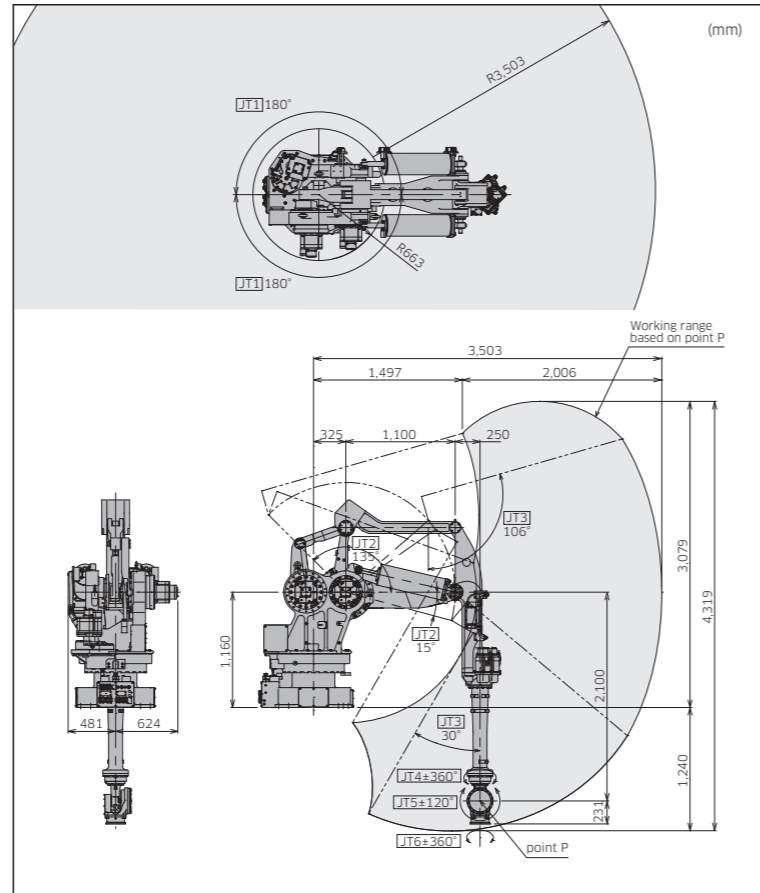


\*1: Conforms to ISO9283

## MT400N

### Standard Specifications

Type	Articulated robot	
Degree of freedom (axes)	6	
Payload (kg)	400	
Max. reach (mm)	3,503	
Position repeatability*1 (mm)	±0.5	
Motion range (°)	Arm rotation (JT1)	±180
	Arm out-in (JT2)	+15 - -135
	Arm up-down (JT3)	+106 - -30
	Wrist swivel (JT4)	±360
	Wrist bend (JT5)	±120
	Wrist twist (JT6)	±360
Max. speed (°/s)	Arm rotation (JT1)	80
	Arm out-in (JT2)	70
	Arm up-down (JT3)	70
	Wrist swivel (JT4)	70
	Wrist bend (JT5)	70
	Wrist twist (JT6)	130
Allowable moment (N·m)	Wrist swivel (JT4)	2,150
	Wrist bend (JT5)	2,150
	Wrist twist (JT6)	980
Allowable moment of inertia (kg·m <sup>2</sup> )	Wrist swivel (JT4)	200
	Wrist bend (JT5)	200
	Wrist twist (JT6)	147
Mass (kg)	2,600	
Mounting	Shelf	
Installation environment	Ambient temperature (°C)	0 - 45
	Relative humidity (%)	35 - 85 (No dew, nor frost allowed)
Controller/Power requirements	F02/7.5KVA	

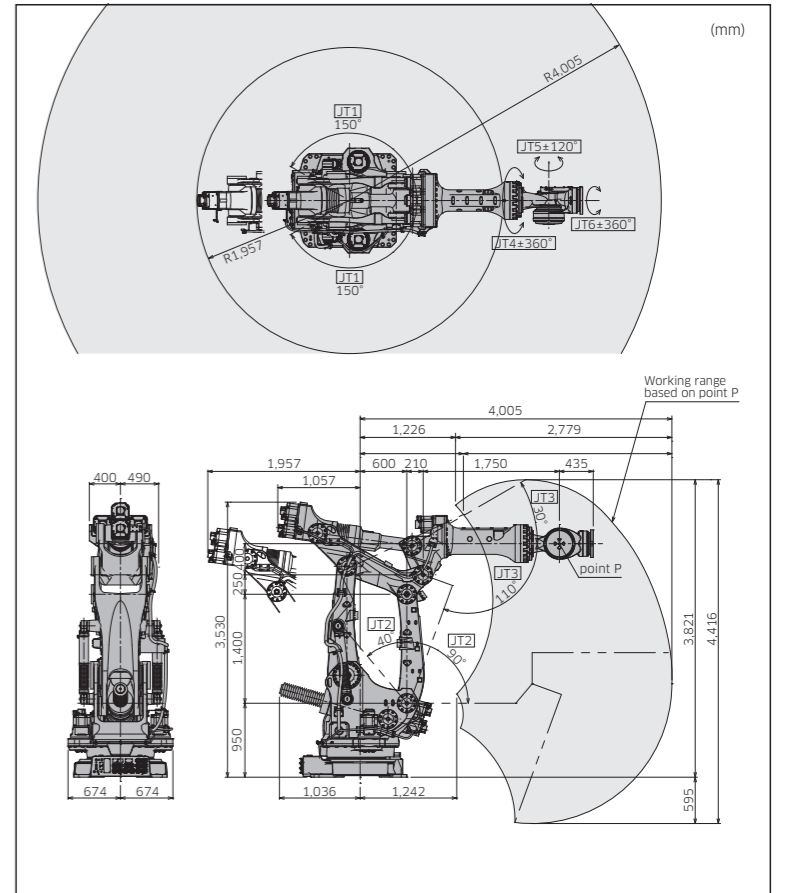


\*1: Conforms to ISO9283

## MG15HL

### Standard Specifications

Type	Articulated robot	
Degree of freedom (axes)	6	
Payload (kg)	1,500	
Max. reach (mm)	4,005	
Position repeatability*1 (mm)	±0.1	
Motion range (°)	Arm rotation (JT1)	±150
	Arm out-in (JT2)	+90 - -40
	Arm up-down (JT3)	+30 - -110*2
	Wrist swivel (JT4)	±360
	Wrist bend (JT5)	±120
	Wrist twist (JT6)	±360
Max. speed (°/s)	Arm rotation (JT1)	65
	Arm out-in (JT2)	33.5
	Arm up-down (JT3)	37.5
	Wrist swivel (JT4)	36
	Wrist bend (JT5)	36
	Wrist twist (JT6)	80
Allowable moment (N·m)	Wrist swivel (JT4)	15,000
	Wrist bend (JT5)	15,000
	Wrist twist (JT6)	4,410
Allowable moment of inertia (kg·m <sup>2</sup> )	Wrist swivel (JT4)	2,250
	Wrist bend (JT5)	2,250
	Wrist twist (JT6)	1,200
Mass (kg)	6,550	
Mounting	Floor	
Installation environment	Ambient temperature (°C)	0 - 45
	Relative humidity (%)	35 - 85 (No dew, nor frost allowed)
Controller/Power requirements	E58/15KVA	



\*1: Conforms to ISO9283

\*2: Max. working range varies depending on the load mass and load torque

# F02/F04

## Features

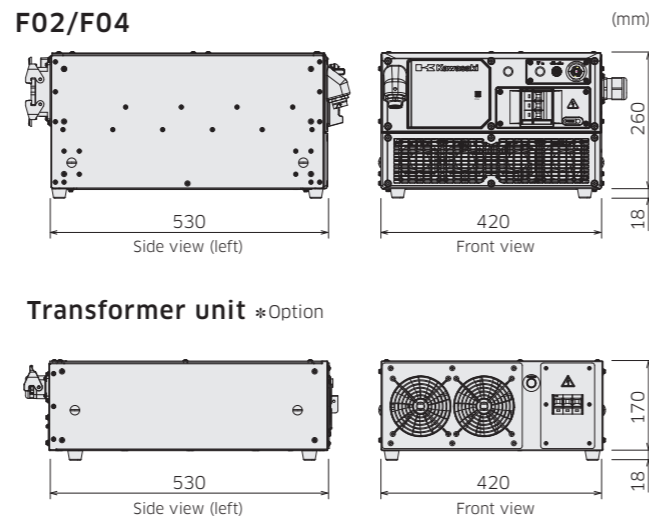
- The F series is universal controllers with common specifications to be used globally.
- Newest controllers that have smaller dimensions and lighter weight, yet provide high performance and expandability.



## Standard Specifications

	F02	F04
Dimensions (mm)	W420×D530×H278	
Type	Enclosed type, indirect cooling system	
Controlled (axes)	7	6
Memory capacity (MB)	16	
I/O signals	External operation	Motor power off, Hold
	Input (Channels)	32
	Output (Channels)	32
Cable length	Teach pendant (m)	5
	Robot-controller (m)	5
Mass (kg)	25	
Power requirements	AC200V - AC220V ±10%, 50/60Hz, 3Φ	
	AC200V - AC230V ±10%, 50/60Hz, 1Φ	
	Max. 7.5kVA	Max. 12kVA
Installation environment	Ambient temperature (°C)	0 - 45
	Relative humidity (%)	35 - 85 (No dew, nor frost allowed)
Teach pendant	Color LCD display with touch-panel, E-Stop switch, Teach lock switch, Enable switch	
Operation panel	E-stop switch, teach/repeat switch	

## External view and dimensions



# E58

## Features

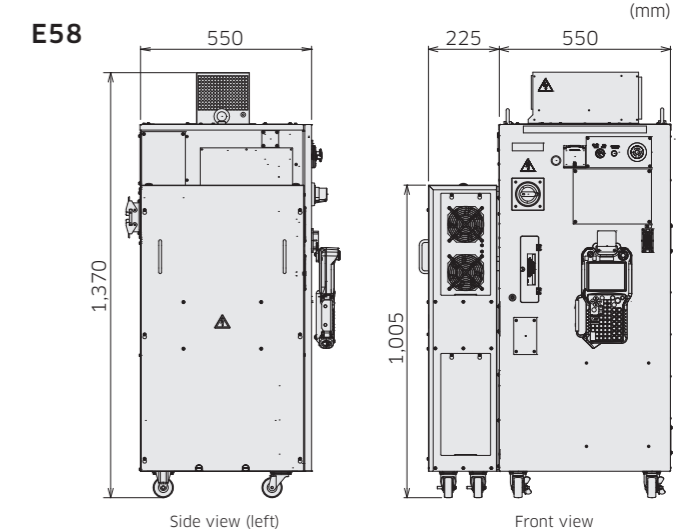
- The E58 controller is used for M series extra large robots.
- The universal controller has common specifications to be used globally and support diverse primary power voltages.



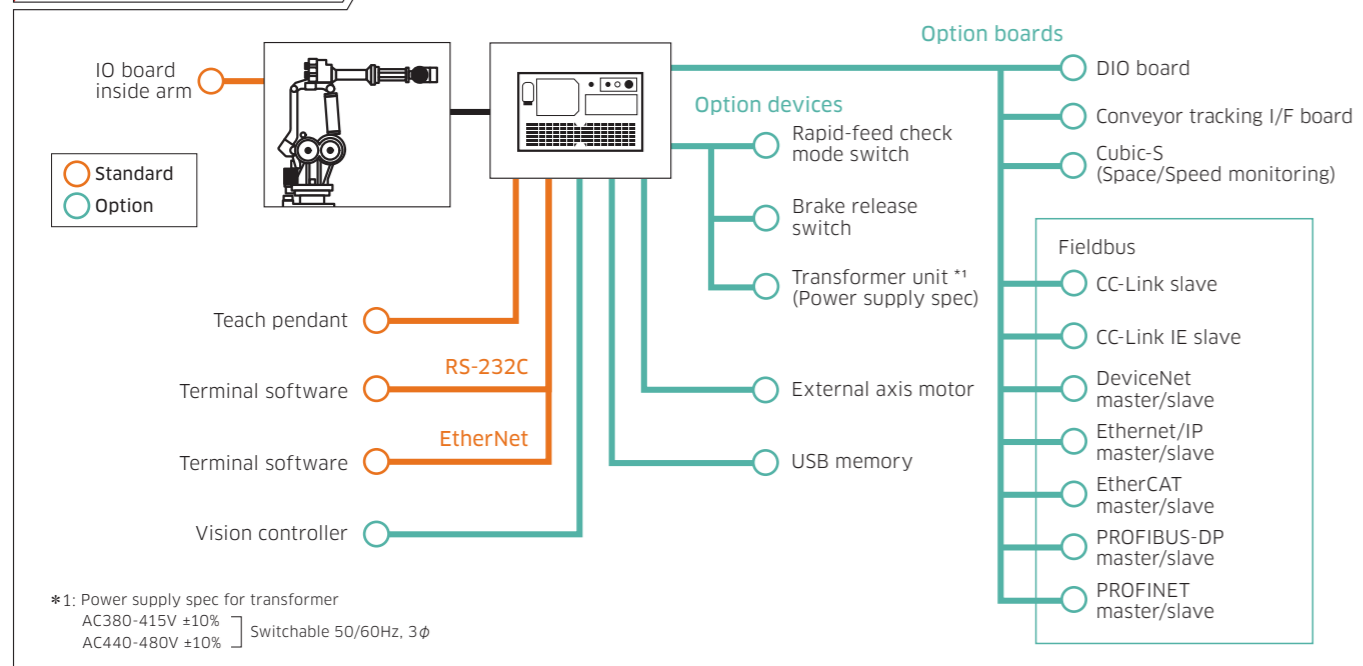
## Standard Specifications

	W775×D550×H1,370	
Type	Enclosed structure, Indirect cooling system	
Controlled (axes)	9	
Memory capacity (MB)	8	
I/O signals	External operation	Motor power off, Hold
	Input (Channels)	32
	Output (Channels)	32
Cable length	Teach pendant (m)	5
	Robot-controller (m)	5
Mass (kg)	165	
Power requirements	Japan	AC200 - AC220V ± 10%, 50/60Hz, 3Φ
	Europe & Asia	AC380 - AC415V ± 10%, 50/60Hz, 3Φ
	North America	AC440 - AC480V ± 10%, 60Hz, 3Φ
	Max. 15kVA	
Installation environment	Ambient temperature (°C)	0 - 45
	Relative humidity (%)	35 - 85 (No dew, nor frost allowed)
Teach pendant	Color LCD display with touch-panel, E-Stop switch, Teach lock switch, Enable switch	
Operation panel	Teach/repeat SW, Emergency stop SW,	

## External view and dimensions



## System configuration



## System configuration

