

Ref: SKS/4602

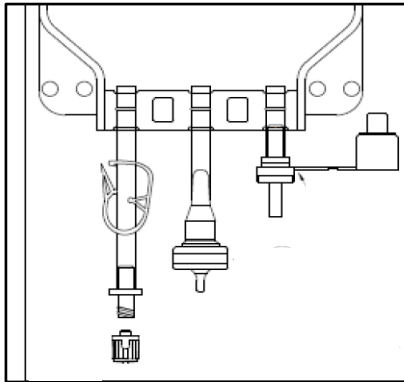
21 October 2020

Dear customer

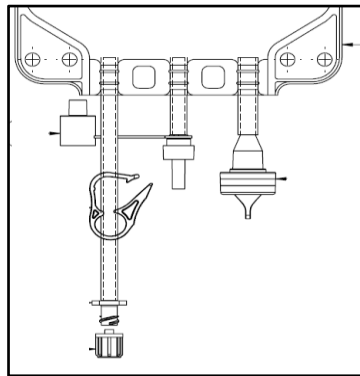
**Change Notification – TC78 / Change to 1000ml & 4000ml Infusion bags**

Following previous notification of a change to the 100ml infusion bags we have had further notification from our supplier that the change will also apply to the 1000ml & 4000ml bags.

Due to a new moulding tool there is a change in the position of the Luer lock and spike ports. These two ports have swapped position.



Current



New

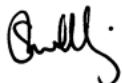
The bags supplied are made of the same material and are from the same manufacturer.

This is a permanent change which will come into effect in the next 30 days for the 1000ml bags and in approximately 5 months' time for the 4000ml bags once current stocks have been exhausted. The following products will be impacted by this change:

Product Description	Part No/Code
TSB 1000ml/1000ml	4.0197 / 218200
TSB 500ml/1000ml	4.0198 / 218210
TSB 250ml/1000ml	4.0199 / 218230
TSB 600ml/1000ml	4.0200 / 218260
TSB 280ml/1000ml	4.0201 / 218280
D/S TSB 500ml/1000ml	4.0220 / 218220
D/S TSB 250ml/1000ml	4.0221 / 218250
TSB 3000ml/4000ml	4.0204 / 218600
TSB 2000ml/4000ml	4.0203 / 218605
TSB 1500ml/4000ml	4.0208 / 218640

If you require any further information relating to this notification please do not hesitate to contact the quality team via email: [quality@cherwell-labs.co.uk](mailto:quality@cherwell-labs.co.uk)

Yours sincerely



Shareen Swadling  
QA Supervisor