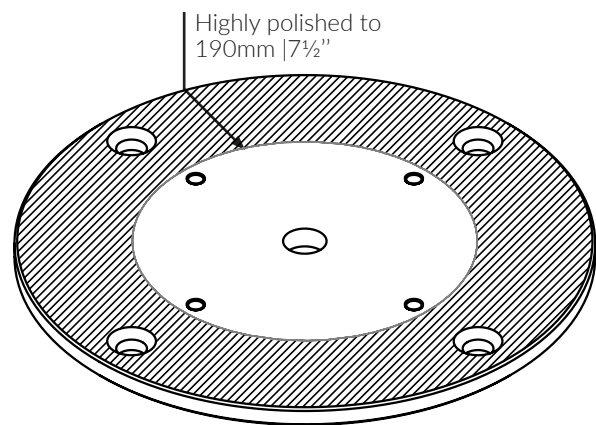


Countersunk
Turn plate over for
non-countersunk fixings

- For mounting to existing concrete patio or decking
- Affixed with 4x M10 | 3/8" bolts (not included)
- Only use 316 stainless steel or galvanised fasteners
- 7mm | 7/10" bolt holes
- 320mm | 1' 3/5" diameter
- 270mm | 11" PCD
- 12mm | 1/2" plate thickness
- **316 Stainless Steel**
- Pre-threaded holes
- 6.9kg | 15lb 3oz weight
- Allows 360° umbrella rotation
- Ships in one box
- Suits Shadowspec Serenity™ & Unity™ models
- Full instruction and install guide provided



All sizings are +/- 2.5mm | 3/32" and subject to change without notice.

