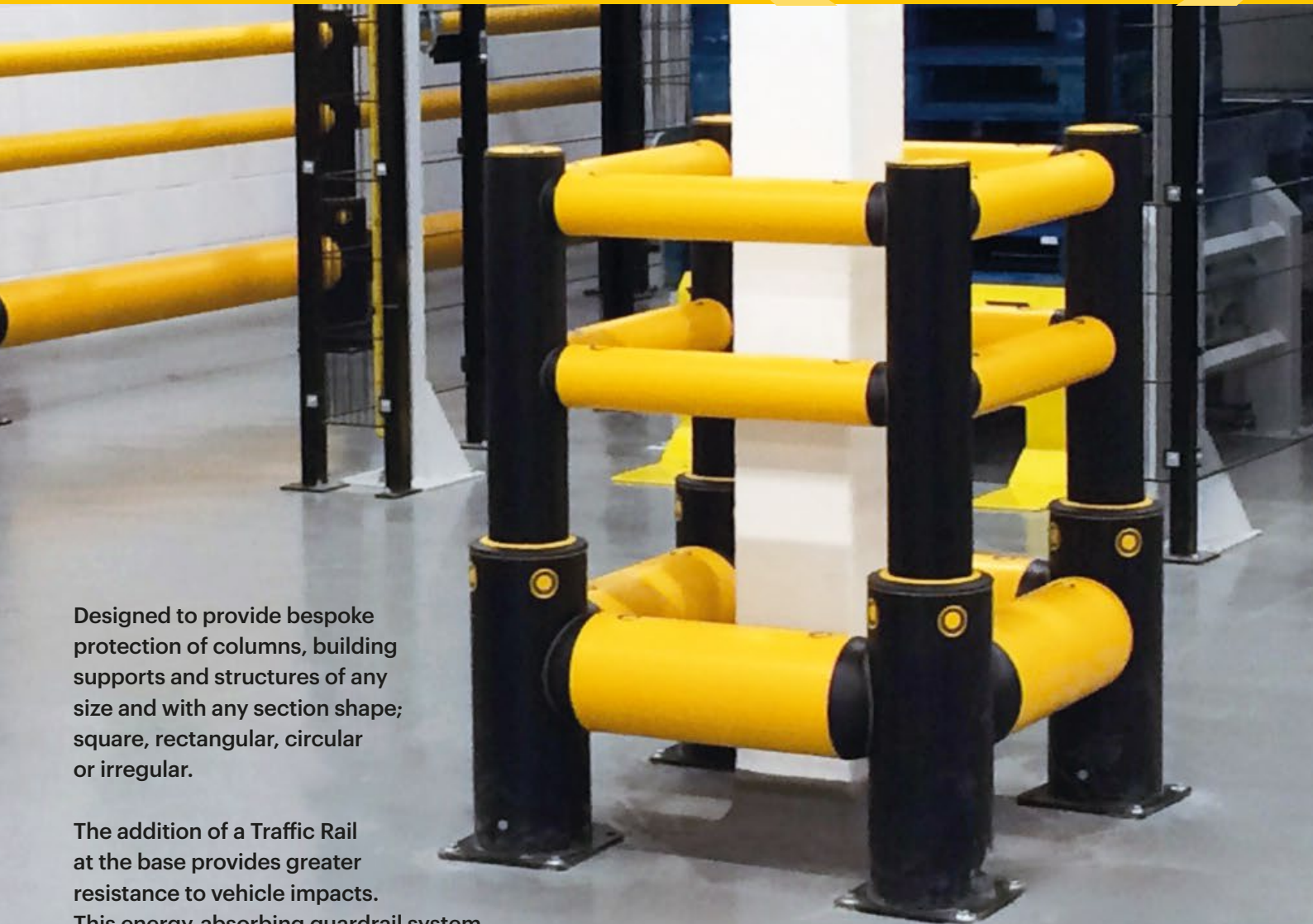




# iFlexRail™

## Column Guard+

# A-SAFE



Designed to provide bespoke protection of columns, building supports and structures of any size and with any section shape; square, rectangular, circular or irregular.

The addition of a Traffic Rail at the base provides greater resistance to vehicle impacts.

This energy-absorbing guardrail system provides visual guidance to drivers and an extreme strength physical shield for vulnerable structures. The rails are set apart from the column to isolate and absorb collision forces away from uprights.

Fully modular and adaptable, the guardrails can also be supplied as two or three sided units to safeguard columns located at the corner of two walls or in front of walls.

Tested to the  
global benchmark  
in guardrail safety

**bsi. PAS 13**  
Code of Practice for  
Workplace Safety  
Guardrails

# Engineered for performance

**Memaplex™ advanced strength polymer** created from an exclusive composition of the most sophisticated polyolefins and rubber additives, expertly blended for unequalled strength and flexibility.

**Unrivalled recovery** through a unique built-in memory that allows the guardrail to flex, cushion and reform repeatedly upon impact, saving vast amounts in guardrail and vehicle repairs.

**Huge return on investment** from incident prevention and downtime avoidance as rails, vehicles, floors and infrastructure do not need replacing or repair.

**Self colored and UV stabilized** for continued high visibility and long lasting aesthetics with no repainting.

**Ultra-low maintenance** material is chemical and water resistant, non-corrosive, non-scratch and self colored so no repainting, rusting, flaking or corrosion.

**Energy absorption system** dissipates impact forces through the guardrail and away from floors and fixings, preventing costly damage.

**Hygiene seals** remove ingress points.

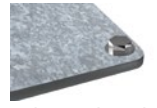
**Multi-directional system** ensures a streamlined fit around any column shape and any column location.

**Zinc nickel, electrophoretic coating** on base plates as standard, provides advanced protection against corrosion damage.

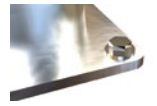
## ADDITIONAL BASE OPTIONS



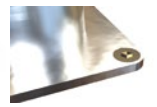
Countersunk Bolts



Galvanized Steel



Stainless Steel 316 Standard



Stainless Steel 316 Countersunk

## Technical Information

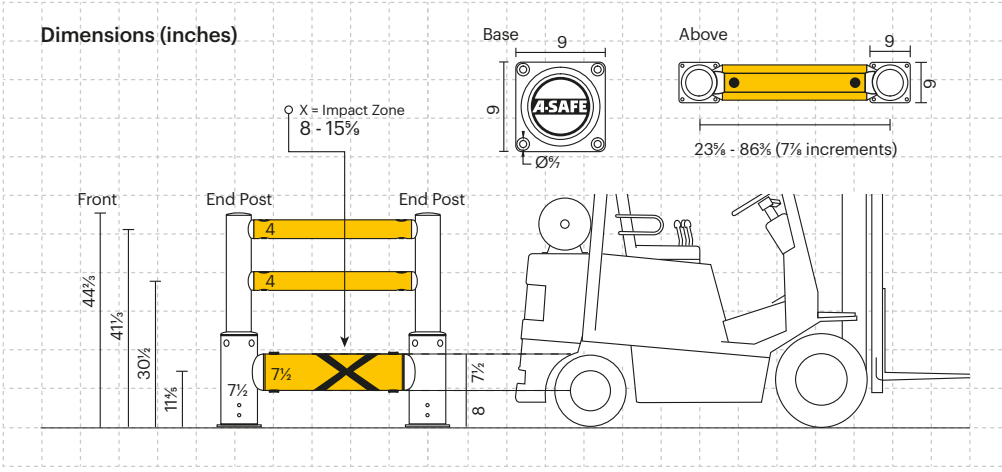
Impact Test	Impact Angle on 59 inch Post Centers			
	90°	67.5°	45°	22.5°
Mid Rail Max Energy (Joules)	13,750	16,109	27,500	93,891
End Post Max Energy (Joules) - 90°	6,500			
Mid Post Max Energy (Joules) - 90°	6,500			

Deflection at Max Energy 15 3/4 inches	Force to Bolt 24kN
---	-----------------------

Material Properties	MEMAPLEX™
Temperature Range	14°F to 122°F
Ignition Temperature	698°F to 734°F
Flash Point	662°F to 698°F
Toxicity	Not Hazardous
Chemical Resistance	Excellent - ISO/TR 10358
Weathering Stability (Grey Scale)	5/5*
Light Stability (Blue Wool Scale)	7/8**
Static Rating (Surface Resistivity)	1015 - 1016 Ω
Hygiene Seals	Yes

\* Weathering scale 1 is very poor and 5 is excellent  
 \*\* Light stability scale 1 is very poor and 8 is excellent



## Color Combinations

**Post Options**

Standard Black RAL 9005* PANTONE Black	Standard Yellow RAL 1007* PANTONE 7548*
--	---

**Rail Options**

Standard Yellow RAL 1007* PANTONE 7548*	Standard Black RAL 9005* PANTONE Black	Standard Grey RAL 9007* PANTONE Cool Grey 5*
---	--	--

\*Please note that the RAL and PANTONE colors listed are the closest match to standard A-SAFE colors, but may not be exact matches of the actual product color and should be used for guidance only.



$$4 \left( -\sqrt{\frac{87}{8}} - \frac{1}{3} \sqrt{\frac{7}{8}} \right)^{336} - \left( -\sqrt{\frac{87}{8}} - \frac{1}{3} \sqrt{\frac{7}{8}} \right)^{6} - \left( -\sqrt{\frac{87}{8}} - \frac{1}{3} \sqrt{\frac{7}{8}} \right)^{35} - \left( -\sqrt{\frac{87}{8}} - \frac{1}{3} \sqrt{\frac{7}{8}} \right)^{79} - \left( -\sqrt{\frac{87}{8}} - \frac{1}{3} \sqrt{\frac{7}{8}} \right)^{35} - \left( -\sqrt{\frac{87}{8}} - \frac{1}{3} \sqrt{\frac{7}{8}} \right)^{79}$$