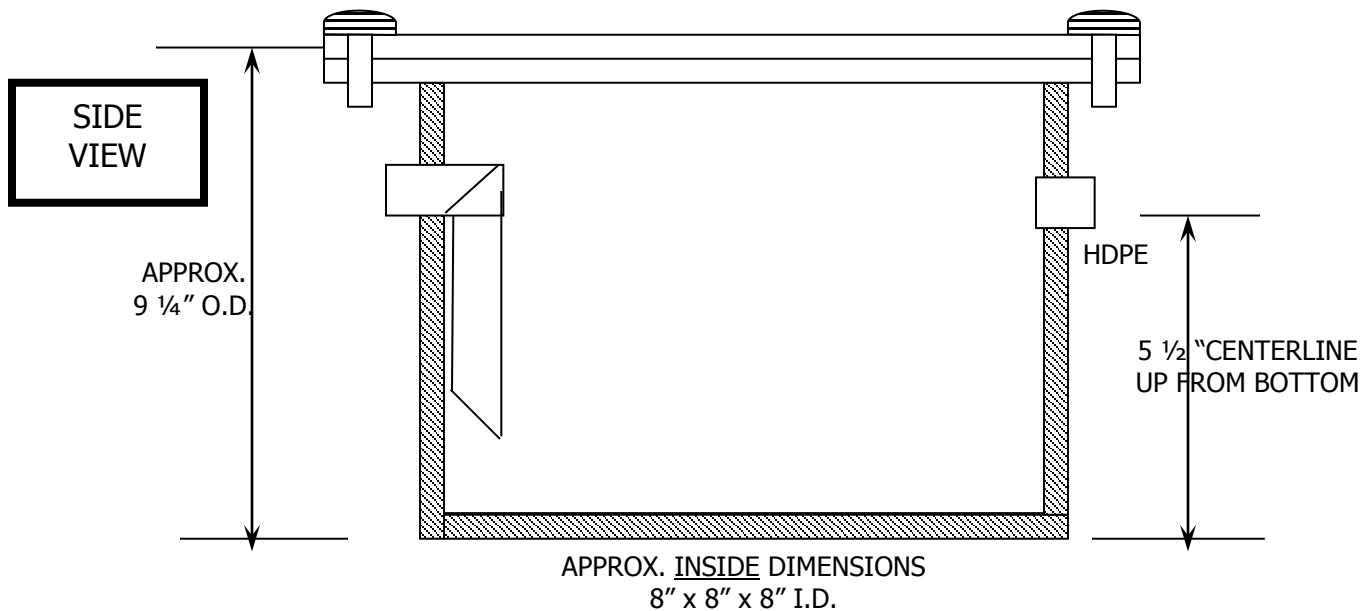
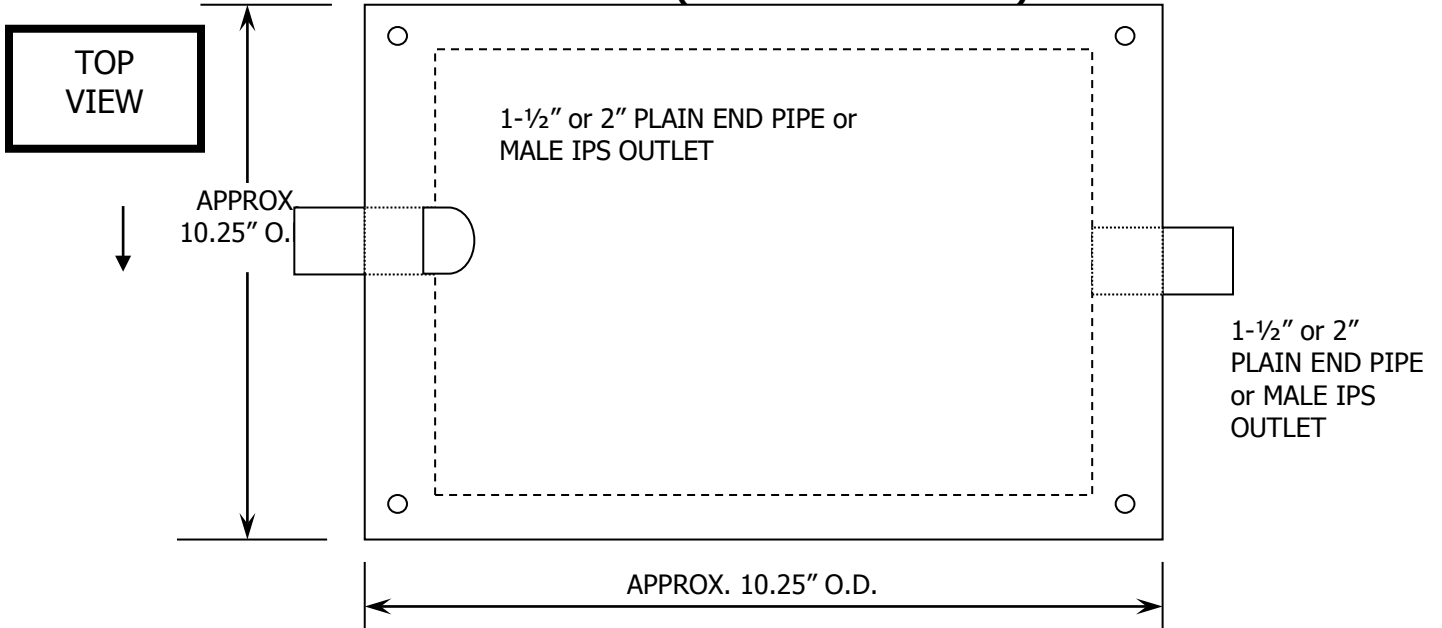




SUBMITTAL SHEET DILUTION TRAP (tank) – MODEL # NT-1/ HDPE

2-GALLON (CALLED 1.5 GALLON)



HDPE = HIGH DENSITY POLYETHYLENE
PP = POLYPROPYLENE

NOTE: PLAIN-END PIPE CONNECTIONS ARE BEST FOR HOOKING UP TO THIS TRAP (TANK). CONTRACTOR TO USE ACID WASTE MECHANICAL JOINT (M/J) FITTINGS ON INLET CONNECTIONS AND NO-HUB CLAMP COUPLING ON OUTLET CONNECTIONS.

HDPE BODY / PP COVER