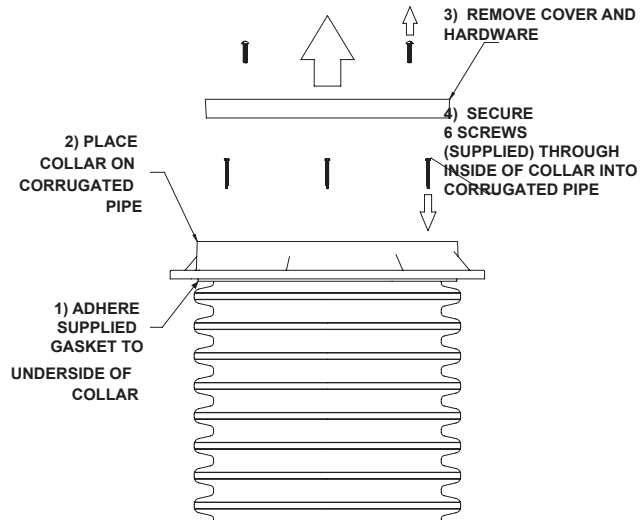
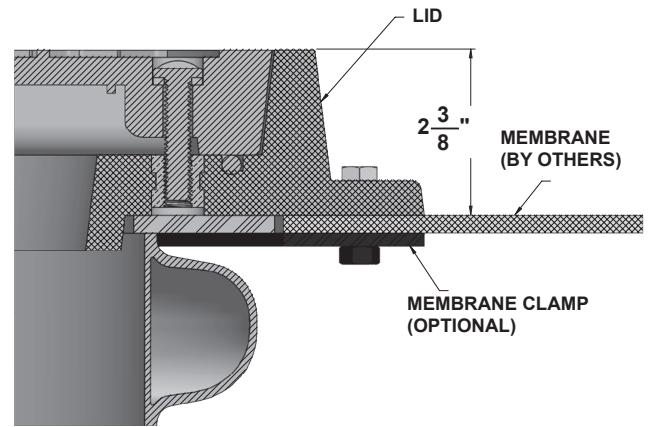


LID INSTALLATION DETAILS

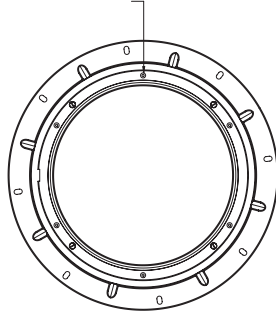


ANCHOR FLANGE AND MEMBRANE CLAMP DETAILS



PLAN VIEW OF COLLAR

DRILLING POSITION FOR SCREWS WILL BE FOUND UNDER LID (6 HOLES)



CROSS SECTION VIEW OF STEP 4

