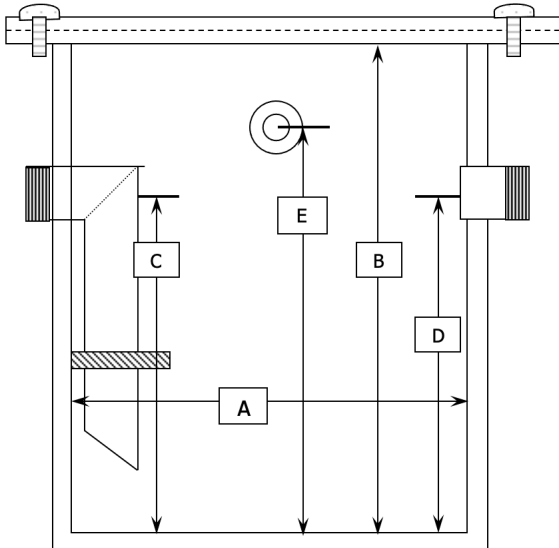




Neutralization Tank Submittal Package (NT Series HDPE Tanks)

Town & Country Plastics, LLC NT Tank Series is for Above Ground or Vault Installation. Please see our NTB Series Below Ground Tanks for Direct Burial Applications.



Our Standard HDPE NT Tanks come with inlet and outlet and standard non-load bearing covers.

Fitting locations and centerlines can be adjusted to meet jobsite conditions at no extra cost.

Vents are available at additional cost.

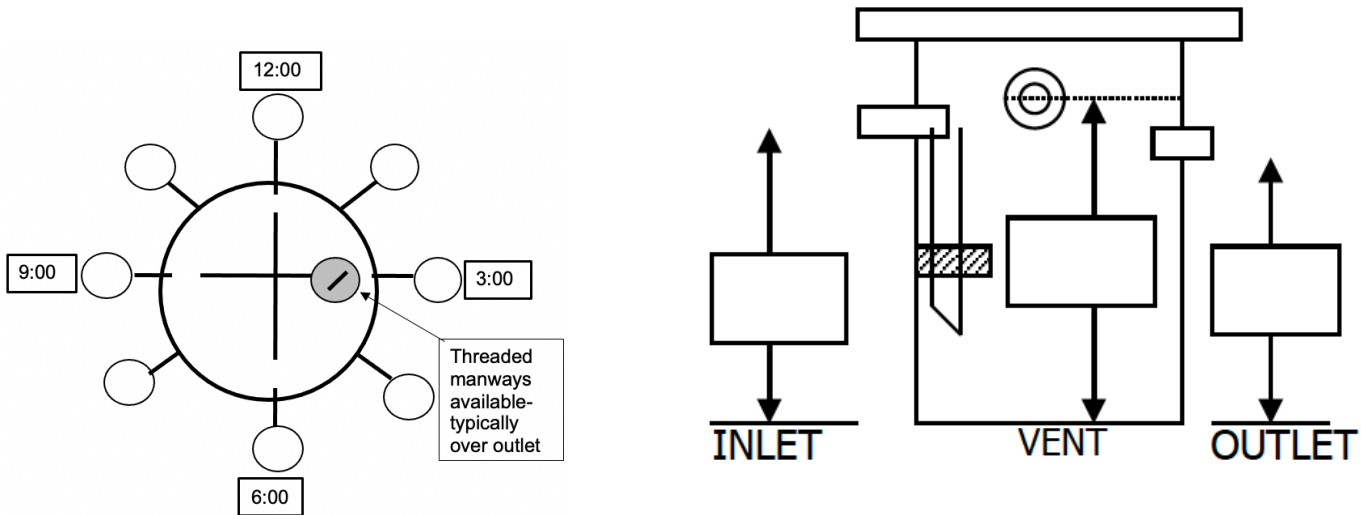
Please circle tank size below and complete Numbers 1 & 2 on following page when ordering. Other options are listed as well.

Polypropylene (PP) Tanks are available in certain sizes – please contact T&C for details.

MODEL #	Total Capacity (Gallons)	Usable Capacity (Gallons)	Usable Capacity with Limestone (Gallons)	Inner Diameter (Inches) (A)	Inner Height (Inches) (B)	Inlet Centerline (Inches) (C)	Outlet Centerline (Inches) (D)	Vent Centerlines (Inches) (E)
NT-5 / HDPE	5	3	1	11	14	11	8	12
NT-5A / HDPE	5	3	1	11	14	11	8	12
NT-15 / HDPE	15	7	2	18	15	11	8	12
NT-30 / HDPE	30	19	6	18	29	23	19	25
NT-55 / HDPE	55	35	12	22	36	27	23	31
NT-100 / HDPE	100	77	26	28	42	35	31	37
NT-150 / HDPE	150	105	35	31	48	38	34	42
NT-175 / HDPE	175	135	45	30	60	51	47	54
NT-200 / HDPE	200	137	46	36	48	38	34	42
NT-275 / HDPE	275	186	62	42	48	38	34	42
NT-300 / HDPE	300	230	76	36	74	61	56	65
NT-350 / HDPE	350	243	81	48	48	38	34	42
NT-500 / HDPE	500	395	132	52	60	51	47	54
NT-550 / HDPE	550	447	149	48	72	64	60	67
NT-650 / HDPE	650	548	183	48	84	75	71	78
NT-700 / HDPE	700	565	188	55	70	62	58	64
NT-800 / HDPE	800	612	204	60	66	57	53	60
NT-1000 / HDPE	1000	844	281	66	72	64	60	66
NT-1100 / HDPE	1100	894	298	60	90	80	76	84
NT-1200 / HDPE	1200	1052	351	69	84	74	68	78
NT-2000 / HDPE	2000	1559	521	84	84	74	68	78

1. Tank Fitting Locations and Centerlines – PLEASE COMPLETE OR NOTE SFL (STANDARD FITTING LOCATIONS) - standard centerlines on chart on Page 1:

I = INLET / O = OUTLET / V = VENT – NOTE VENT IS OPTIONAL AND AT ADDITIONAL COST



2. Fitting Size & Type: PLEASE CIRCLE SELECTIONS

- a. INLET: 1 1/2" 2" 3" 4" 6" (plain-end only) Male IPS Threads Plain-End Pipe
- b. OUTLET: 1 1/2" 2" 3" 4" 6" (plain-end only) Male IPS Threads Plain-End Pipe
- c. VENT: 1 1/2" 2" 3" 4" 6" (plain-end only) Male IPS Threads Plain-End Pipe

Female connections up to 4" are available at additional cost.

3. Threaded Access Manway in Tank Cover (at additional cost):

_____ 12"
 _____ 16"

See Following Page for Limestone and Other Options



4. **Limestone:** please circle tank size / bags required if you are ordering our RLS-50 Limestone

TANK MODEL #	BAGS REQUIRED	APPOXIMATE AMOUT POUNDS
NT-5	1	50 lbs.
NT-15	2	100 lbs.
NT-30	4	200 lbs.
NT-55	9	500 lbs.
NT-100	18	1,000 lbs.
NT-150	31	1,750 lbs.
NT-175	34	1,900 lbs.
NT-200	45	2,500 lbs.
NT-275	58	3,200 lbs.
NT-300	58	3,200 lbs.
NT-350	72	4,000 lbs.
NT-500	90	5,000 lbs.
NT-550	136	7,500 lbs.
NT-650	163	9,000 lbs.
NT-700	165	9,100 lbs.
NT-800	172	9,500 lbs.
NT-1000	185	10,200 lbs.
NT-1100	192	10,600 lbs.
NT-1200	200	11,000 lbs.
NT-2000	290	16,000 lbs.
NT-3000	454	25,000 lbs.

5. **Acid Waste No-Hub Couplings for Chemical Waste:** T&C Plastics has a complete line of Acid Waste No-Hub Couplings for Plain-End Pipe Connections.

Please Fill in Quantity Below

Quantity	Model # - Size
	AWC-150 - 1 1/2"
	AWC-200 - 2"
	AWC-300 - 3"
	AWC-400 - 4"
	AWC-600 - 6"



6. High Level Tank Float & Alarm Panel: Will include fitting on tank, high level float and alarm box. Please check below and note on Section B on page 2 the location for the high-level float. Note, if float is on the side of the tank the fitting must be at least 4" above the inlet.



Model pp-44t High Level Float & Alarm Panel