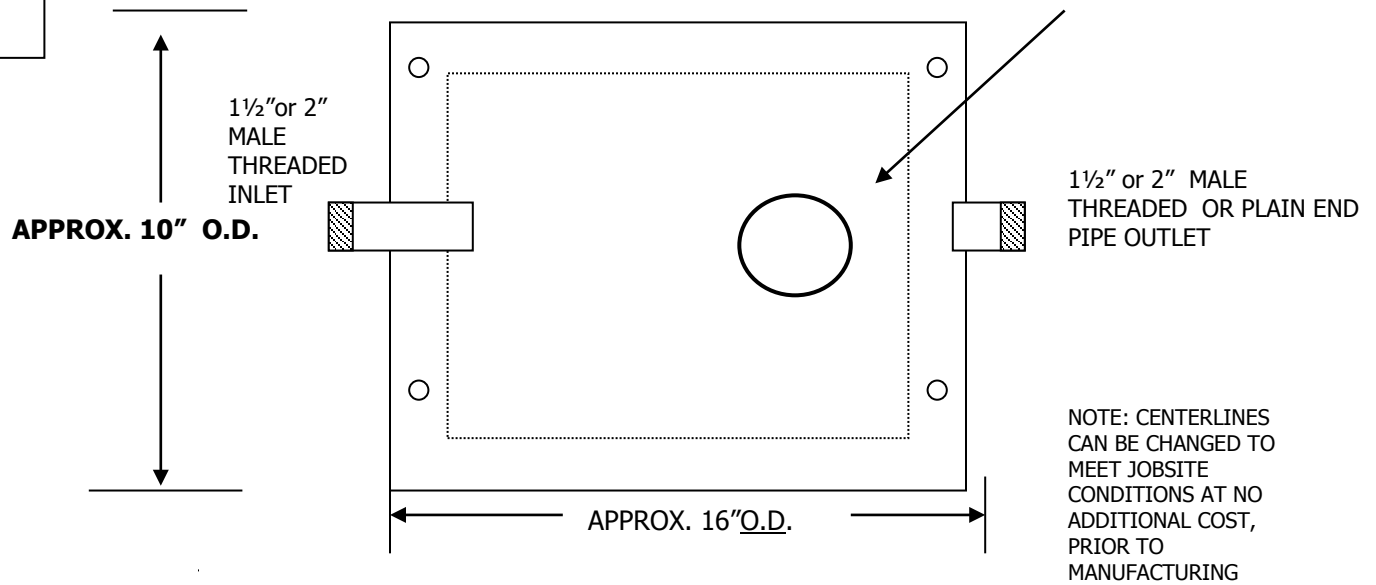


### RECTANGULAR DILUTION TRAP

MODEL# NTR-3A / HDPE FOR UNDER SINK (S)

**TOP  
VIEW**



**SIDE VIEW**

