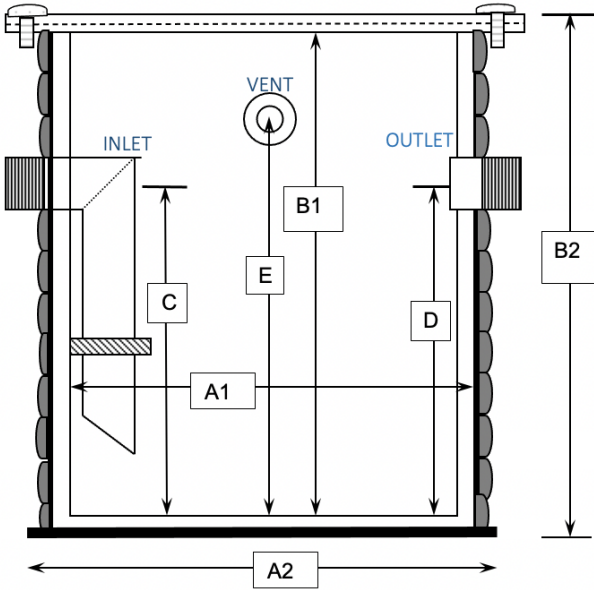


NTB Tank Series Specification and Submittal Package

Specification: Town & Country Plastics, LLC NTB Series Direct Burial Neutralization Tank with Size and Capacity as shown on drawing and / or equipment schedule. Tank to be made from Reinforced High Density Polyethylene (HDPE) conforming to ASTM Specification D-#1248 latest edition. Tank to be Model _____ / HDPE and be complete with inlet, outlet and vent connections and extra heavy duty cover as required for local conditions. Inlet shall have internal elbow and dip tube in order to form a deep seal. Contractor to Supply Limestone Chips, Model RLS-50 with greater than 90% calcium carbonate concentration sufficient for One (1) Complete Fill of the NTB Tank.



NTB Tanks come STANDARD with 1" thick heavy duty polypropylene cover for light duty pedestrian traffic. Other cover options are available at additional cost.

NTB Tanks come standard with 4" inlet, outlet and vent (Male IPS threads or HDPE plain end pipe). Other connection sizes are available (additional cost may be incurred), centerlines and locations can be changed to meet jobsite conditions, at no additional cost.

Tank extensions of any height are available. Tank will come STANDARD with up to 6" non-adjustable extension if needed, exact height of tank will be required at time of purchase.

Tank can be provided with fitting, high level float and alarm panel at additional cost.

Please circle tank size below and use following pages for ordering. Options A, B and C on page 2 must be completed before tank is produced. See other options on following pages.

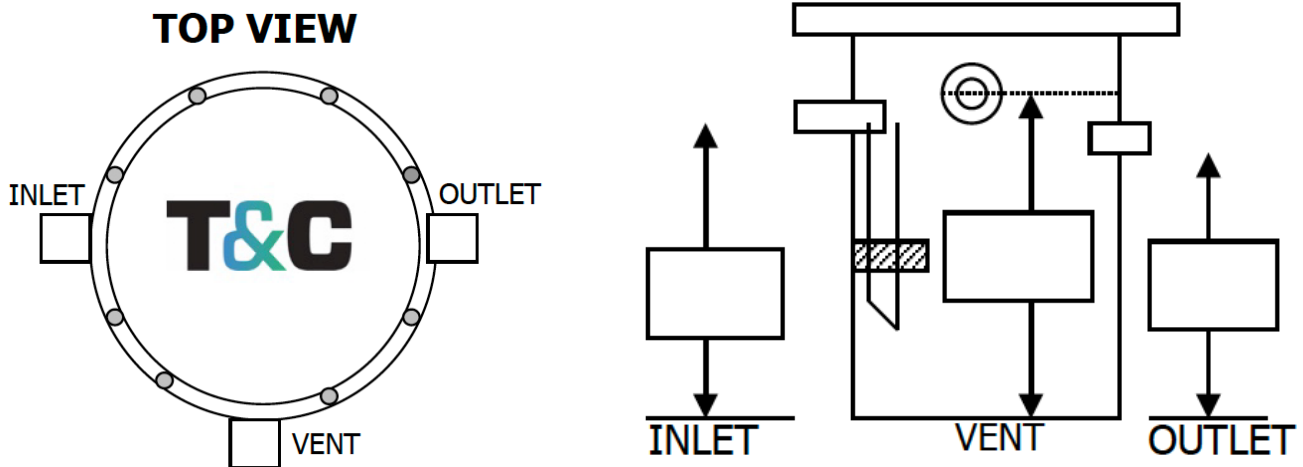
MODEL #	Total Capacity (Gallons)	Usable Capacity (Gallons)	Usable Capacity with Limestone (Gallons)	Inner Diameter (Inches) A1	Inner Height (Inches) B1	Outer Diameter (Inches) A2	Outer / Total Height (Inches) B2	Inlet Centerline (Inches) C	Outlet Centerline (Inches) D	Vent Centerline (Inches) E
NTB-30 / HDPE	30	19	6	18	29	24	31	23	19	25
NTB-55 / HDPE	55	35	12	24	30	30	32	22	18	25
NTB-100 / HDPE	100	77	26	24	48	30	50	42	38	44
NTB-150 / HDPE	150	105	35	30	50	36	52	38	34	42
NTB-175 / HDPE	175	135	45	30	60	36	62	51	47	54
NTB-200 / HDPE	200	137	46	36	48	42	50	38	34	42
NTB-250 / HDPE	250	151	52	36	60	42	62	42	38	46
NTB-275 / HDPE	275	186	62	42	48	46	50	38	34	42
NTB-300 / HDPE	300	230	76	36	74	42	76	61	56	65
NTB-325 / HDPE	325	236	79	42	54	48	56	44	40	46
NTB-350 / HDPE	350	243	81	48	48	54	50	38	34	42
NTB-500 / HDPE	500	395	132	48	64	54	66	54	50	56
NTB-650 / HDPE	650	548	183	48	84	54	86	75	71	78

OPTIONS / ACCESSORIES PAGE 1 of 3:

• **A. Cover Options** (please check):

- STANDARD (Heavy Duty Cover for Light Pedestrian Traffic)
- HD - EXTRA Heavy-Duty Cover (1/8" Steel over Polypropylene for Heavy Duty Pedestrian Traffic)
- H2O Rated Steel Manhole and Frame Assembly for Vehicular Traffic (tank access cover will be included for under manway)

• **B. Tank Fitting Locations and Centerlines** – **PLEASE MARK ANY CHANGES** (standard centerlines on chart on Page 1):



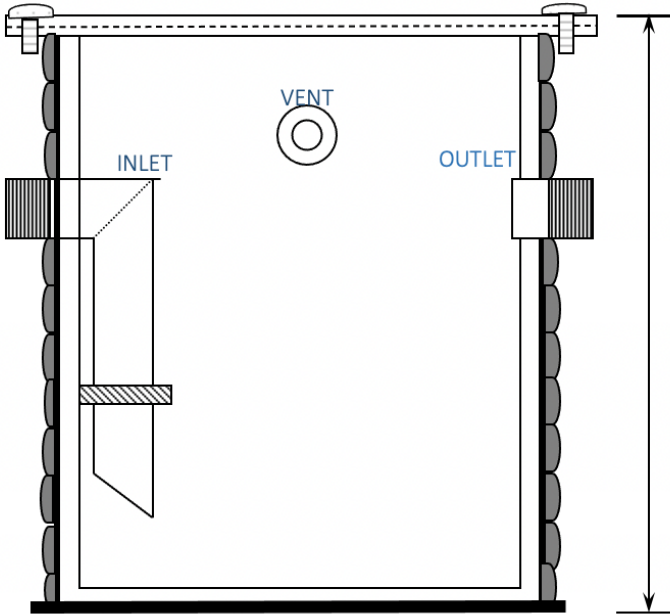
• **C. Fitting Size & Type:** Up to 4" male thread or plain-end pipe fittings are included. 6" Plain-End Fittings are Available at Additional Cost. **PLEASE CIRCLE SELECTIONS**

- INLET: 1 1/2" 2" 3" 4" 6" (plain-end only) Male IPS Threads Plain-End Pipe
- OUTLET: 1 1/2" 2" 3" 4" 6" (plain-end only) Male IPS Threads Plain-End Pipe
- VENT: 1 1/2" 2" 3" 4" 6" (plain-end only) Male IPS Threads Plain-End Pipe

SEE ADDITIONAL OPTIONS AND ACCESSORIES ON NEXT PAGE

OPTIONS / ACCESSORIES PAGE 2 of 3:

- **D. Tank Extensions:** Custom Tank Extensions of any size are available with NTB Tanks. UP TO a 6” extension is included at no extra cost. Please complete details below when ordering a tank extension. Please make sure to select a cover on the prior page as well:



Please Advise Total Height Required from **Bottom of Tank to Finished Grade** and Note any Other Special Dimensions Required on Tank Drawing.

TOTAL HEIGHT WITH EXTENSION: _____

Other Notes:

- **E. Limestone:** please circle tank size / bags required if you are ordering our RLS-50 Limestone

MODEL #	Bags Required	Approximate Amount Lbs.
NTB-30 / HDPE	4	200 lbs.
NTB-55 / HDPE	9	500 lbs.
NTB-100 / HDPE	18	1,000 lbs.
NTB-150 / HDPE	31	1,750 lbs.
NTB-175 / HDPE	34	1,900 lbs.
NTB-200 / HDPE	45	2,500 lbs.
NTB-250 / HDPE	52	2,800 lbs.
NTB-275 / HDPE	58	3,200 lbs.
NTB-300 / HDPE	58	3,200 lbs.
NTB-325 / HDPE	64	3,500 lbs.
NTB-350 / HDPE	72	4,000 lbs.
NTB-500 / HDPE	90	5,000 lbs.
NTB-650 / HDPE	163	9,000 lbs.

SEE ADDITIONAL OPTIONS AND ACCESSORIES ON NEXT PAGE

- **F. Acid Waste No-Hub Couplings for Chemical Waste:** T&C Plastics has a complete line of Acid Waste No-Hub Couplings for Plain-End Pipe Connections.

Please Fill in Quantity Below

<u>Quantity</u>	<u>Model # - Size</u>
	AWC-150 - 1 1/2"
	AWC-200 - 2"
	AWC-300 - 3"
	AWC-400 - 4"
	AWC-600 - 6"

- **G. High Level Tank Float & Alarm Panel:** Will include fitting on tank, high level float and alarm box. Please check below and note on Section B on page 2 the location for the high-level float. Note, if float is on the side of the tank the fitting must be at least 4" above the inlet.

Model pp-44t High Level Float & Alarm Panel

- **H. pH Monitoring Panel and Sampling Tank –** Will include Model NTB-5M Sampling Tank and pH Control Panel. See below for choices and inquire about additional options:

- **Model WAL-100M Digital pH Monitoring Panel with One (1) pH electrode & 4-20ma output for Remote Monitoring.**
- **Model WAL-600M Digital pH Monitoring Panel with One (1) pH electrode, Internal Datalogger and 4-20ma output for Remote Monitoring (panel can also receive high level alarm float).**
- **Model K-100AM Analog pH Monitoring Panel with One (1) pH electrode (no recorder).**
- **Model K-100A Analog pH Monitoring & Recording Panel with One (1) pH Electrode and Paper Chart recorder.**

Contact T&C for Additional Options and Custom Solutions