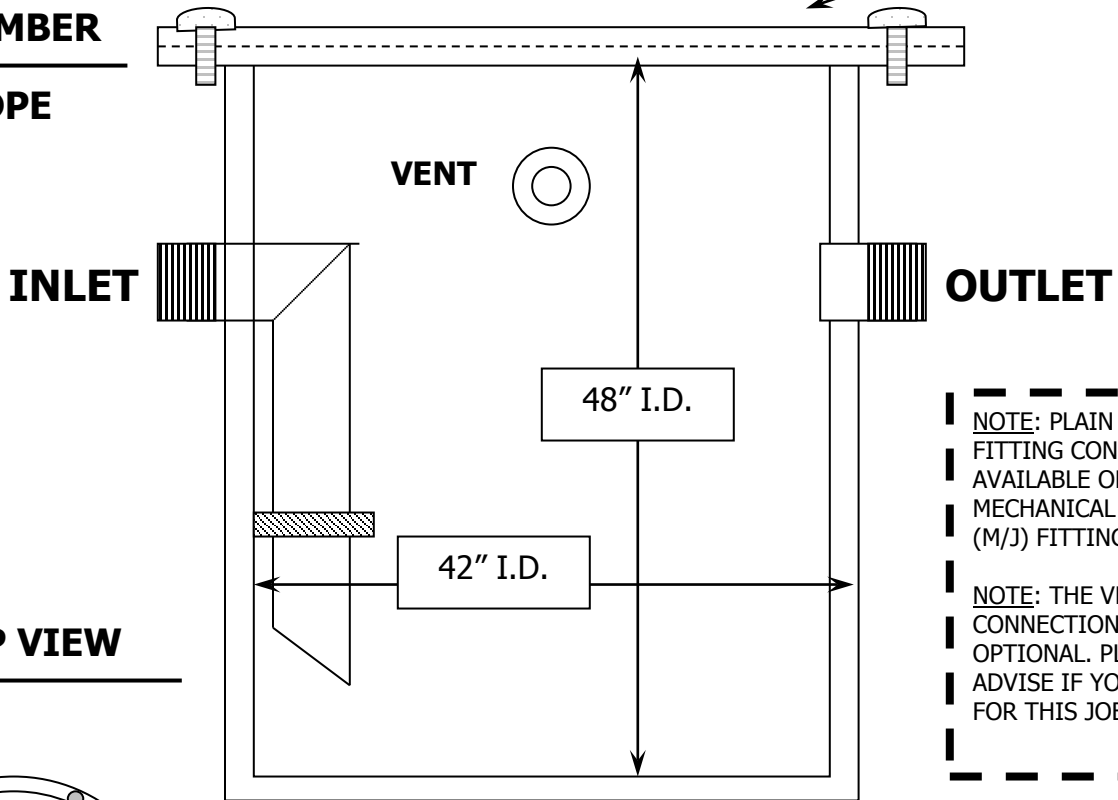


### Neutralization Tank Submittal Sheet

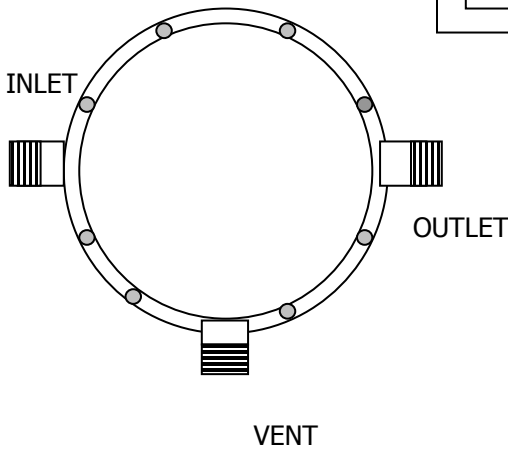
STANDARD BOLTED AND GASKETED REINFORCED COVER

**MODEL NUMBER**

**NT-275 / HDPE**



**TOP VIEW**



**TANK HEIGHT 48" I.D.**

**TANK DIAMETER 42" I.D.**

FITTING POSITIONS, HEIGHTS (CENTERLINES) AND SIZES CAN BE CHANGED PRIOR TO MANUFACTURING (PER ENGINEERS NEEDS OR FIELD CONDITIONS). IF CHANGE DESIRED, MARK UP THIS DRAWING ACCORDINGLY.

**FITTING SIZE**

**FITTING TYPE**

**FITTING CENTERLINE LOCATION**

**FITTING CENTERLINES**

	FITTING SIZE	FITTING TYPE	FITTING CENTERLINE LOCATION	FITTING CENTERLINES
INLET	ADVISE	Male IPS Threads or HDPE plain end pipe	38"	
OUTLET	ADVISE		34"	
VENT	ADVISE		42"	