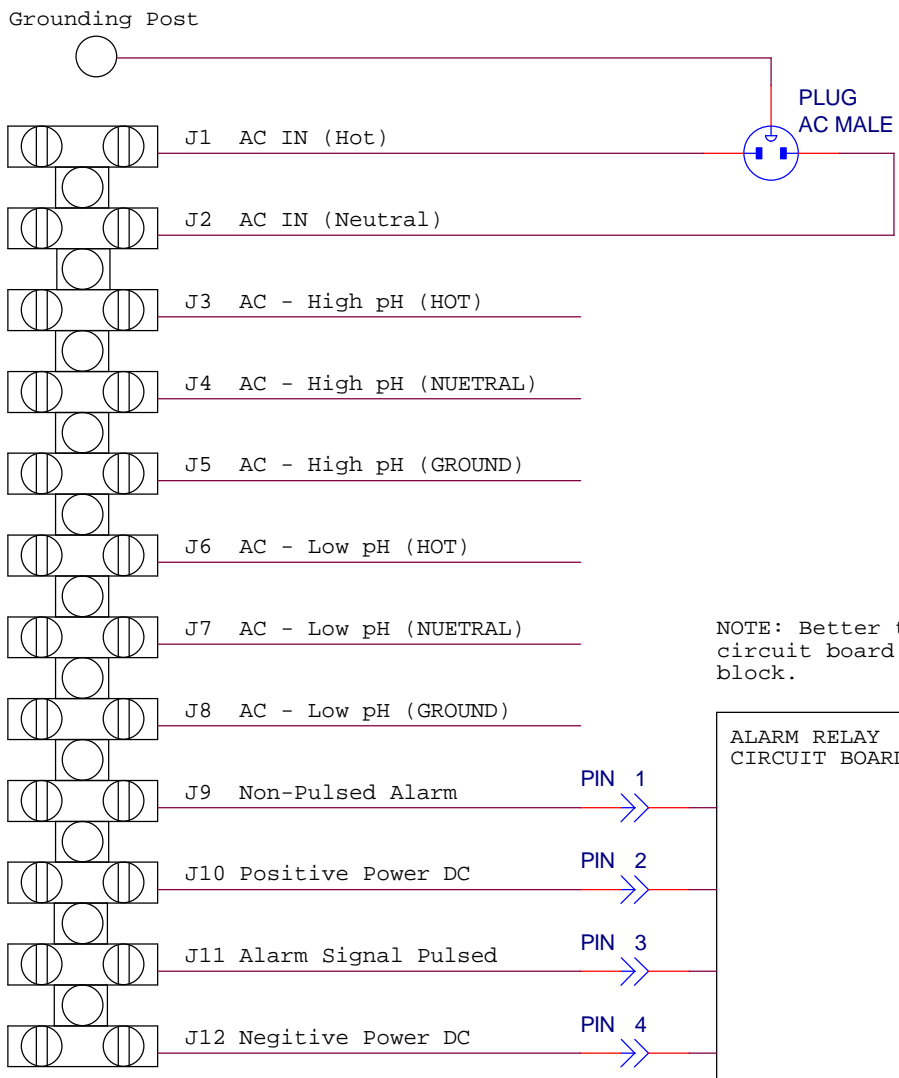
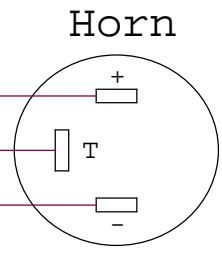
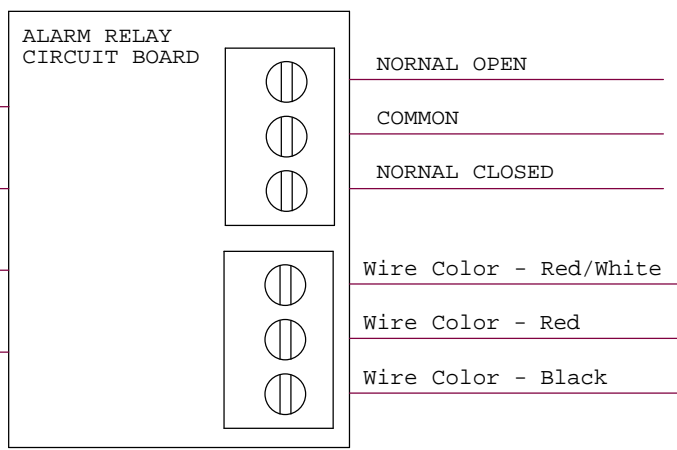


TERMINAL BLOCK LOCATED ON LEFT SIDE OF PH CONTROLLER



NOTE: Better to insert wire on alarm relay circuit board. Then insert pins in terminal block.



**WARNING!: Do NOT Drill Holes in pH Controller!**

Title		
Optional Alarm Relay		
Size	Document Number	Rev
B	WIRE 2	00
Date:	Friday, April 28, 2017	Sheet 1 of 1