

Location: _____

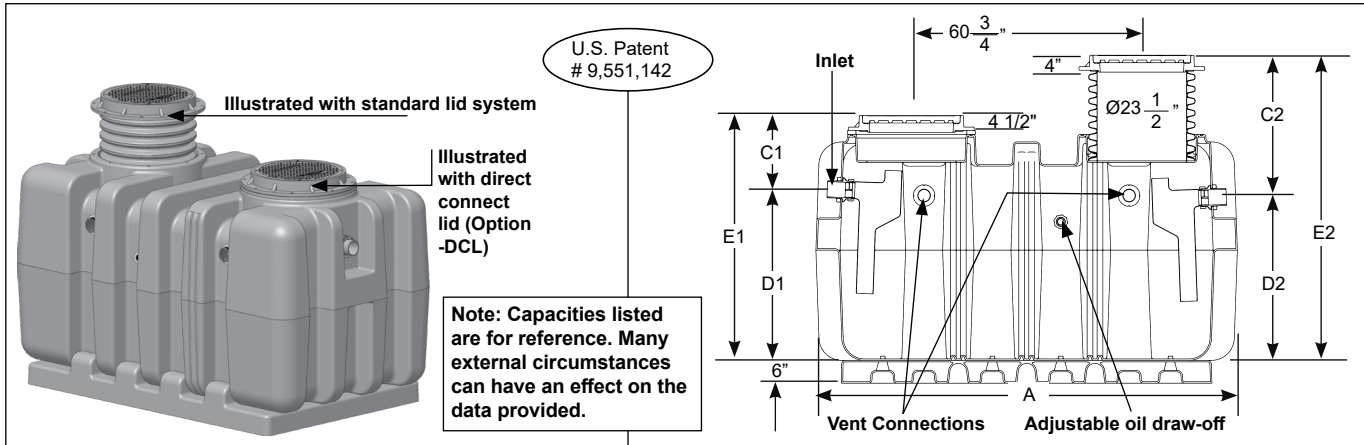


SS

SS SERIES GRAVITY OIL INTERCEPTOR

Speci ication: T&C Plastics SS-_____ gravity oil interceptor with _____ U.S. gallons of liquid holding capacity has a limited lifetime warranty and is made in the U.S.A. out of seamless, rotationally molded High Density Polyethylene with 3/8" uniform wall thickness. Interceptor is designed for above or below ground installation and includes an adjustable lid system, sample port access, deep seal trap covered by lid, internal air relief by-pass, adjustable oil draw-off assembly (1 1/2" I.P.S.) on each side, double vent connections (3" I.P.S.) on each side, stainless steel calibrated orifice plate (internal flow control), base for support and floor level installation and 4" no hub inlet and outlet connections. Steel encased composite lids provide a water / gas tight seal and have a minimum of 20,000 LB. load capacity - in accordance with the loading requirements of AASHTO H20. The high density polyethylene material is PE 3135 from Dow 9.39 with a density of 0.939 g/cm3. For indoor/outdoor use.

Function: Oil interceptors are required anywhere oil and sand may be introduced to the public sewer system in applications such as: repair garages, oil change stations, car wash facilities, parking garages, parking lots, hydraulic elevator pits and facilities where oil and flammable liquid waste are produced as a result of manufacturing, storage, maintenance, repair or testing processes. The interceptor collects the oil before it is drained to an adjacent storage tank through an adjustable draw off system. Typically installed either on or into the floor. Regular maintenance is required to keep the interceptor functioning. All T&C gravity interceptors can withstand a temperature of up to and including 180 degrees Fahrenheit.



Model	Flow Rate (GPM)	Liquid Cap. (Gal/cu.ft.)	Oil Storage Holding Cap (Gal)	Sand Cap. (Gal)	A	Width B	C' Dim.	C² Dim.	D' Dim.	D² Dim.	E' Dim.	E² Dim.	F Connection Size	Shipping Weight (Lbs.)
OI-SS-500	250	539 / 72	310	102	111" 2820mm	64" 1630mm	18.75" 476mm	37.25" 946mm	26.25" 667mm	24.25" 616mm	45" 1143mm	61.50" 1562mm	4" 102mm	960
OI-SS-750	250	772 / 103	413	316	111" 2820mm	64" 1630mm	18.75" 476mm	37.25" 946mm	34.88" 886mm	32.88" 835mm	53.63" 1362mm	70.13" 1781mm	4" 102mm	1,025
OI-SS-1000	250	1015 / 135	458	352	111" 2820mm	64" 1630mm	18.75" 476mm	37.25" 946mm	45.25" 1149mm	43.25" 1099mm	64" 1626mm	80.50" 2045mm	4" 102mm	1,085
OI-SS-1250	250	1262 / 168	569	438	111" 2820mm	64" 1630mm	18.75" 476mm	37.25" 946mm	56.25" 1429mm	54.25" 1378mm	75" 1905mm	91.50" 2324mm	4" 102mm	1,160
OI-SS-1300	250	1312 / 175	592	455	111" 2820mm	64" 1630mm	18.75" 476mm	37.25" 946mm	56.25" 1429mm	54.25" 1378mm	75" 1905mm	91.50" 2324mm	4" 102mm	1,160
OI-SS-1500	250	1522 / 202	624	493	111" 2820mm	64" 1630mm	18.75" 476mm	37.25" 946mm	64" 1626mm	62" 1575mm	82.75" 2102mm	99.25" 2521mm	4" 102mm	1,260
OI-SS-2000	250	2022 / 269	829	655	111" 2820mm	64" 1630mm	18.75" 476mm	37.25" 946mm	85.50" 2172mm	83.50" 2121mm	104.25" 2648mm	120" 3048mm	4" 102mm	1,350

Suffix	Optional Variations
-AK	Anchor kit (set of two)
-C	Lid extension (specify dimension required)
-COA	Coalescer Pack
-DI	Ductile iron lid & collar
-FL-C	Membrane clamp kit
-F6	6" No Hub Inlet / Outlet connection (flow rate of 700 GPM with 6" connections)
-F8	8" No Hub Inlet / Outlet connection (fabricated stainless steel) (flow rate of 1,200 GPM with 8" connections)
-HLA	High level alarm and float switch (to be installed on site)
-HT	Holding Tank
-LHSI	4" no hub inlet on left hand side
-LHSO	4" no hub outlet on left hand side

-POK	Remote pump out kit
-RHSI	4" no hub inlet on right hand side
-RHSO	4" no hub outlet on right hand side
-RPO	4" Remote pump outlet connections on top of interceptor - specify location and number required
-SB	Sediment bucket
-SP	External Sampling port - inline, high connections
-SP-L	External Sampling port - inline, low connections
-SP-OF	External Sampling port - offset
-SST	Fire resistant fabricated stainless steel interceptor
-ST	Fire resistant fabricated 10 gauge powder epoxy coated steel interceptor
-V	Vent connection - 4" (specify number required and location - side and / or top)

CALIFORNIA PROPOSITION 65 WARNING. This product contains chemicals known to the State of California to cause cancer and birth defects or other reproductive harm.

Job Name: _____ Page No: _____
 Section No: _____ Contractor: _____
 Schedule No: _____ Purchase Order No: _____