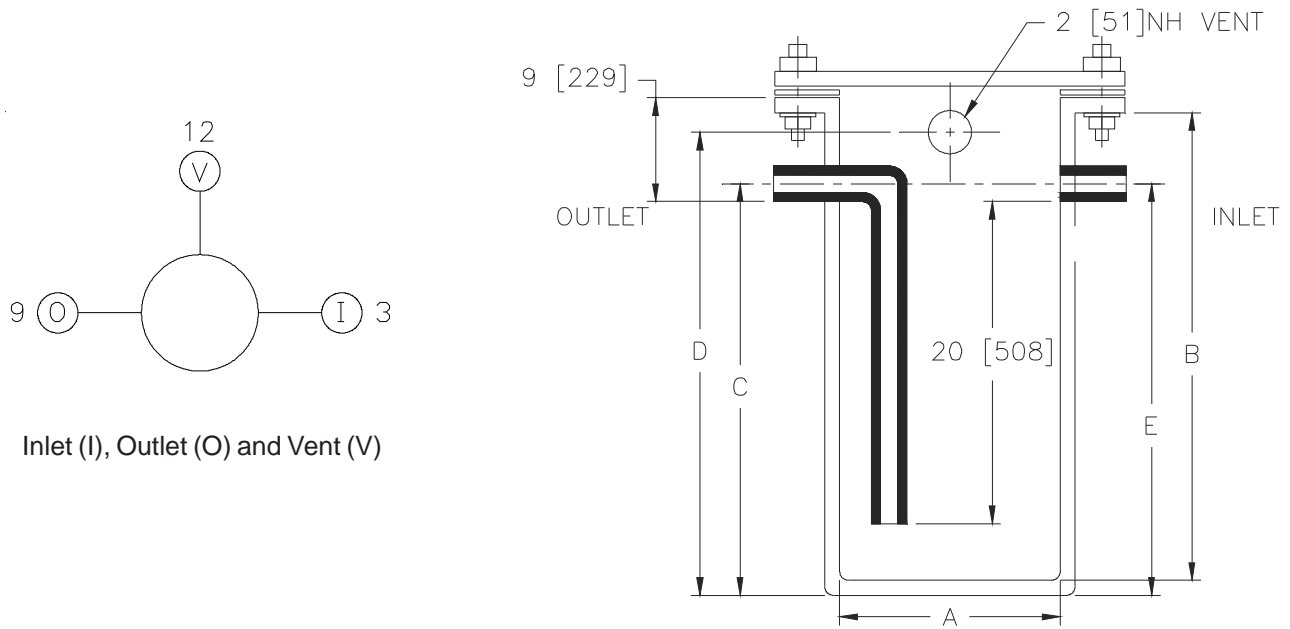


Dimensional Data (inches and [mm]) are Subject to Manufacturing Tolerances and Change Without Notice



Inlet (I), Outlet (O) and Vent (V)

Engineering Specifications : Town & Country Plastics OSCV-HDPE Series

Storage tank manufactured from high density polyethylene with ___ gallon capacity, having 4" no-hub inlet / outlet, and 2" no-hub vent connections with seamless construction. Top to be bolted down with stainless steel hardware and neoprene gasket. 20" trap seal to be permanent factory installed inside of unit on outlet side.

Model Number	Gallon Cap.	Inlet/Outlet	Approx. Wt. [kg.]	Wall Thk.	A	B	C/E	D
OSCV-55-HDPE	55	4 [102]	50 [23]	3/16 [5]	22 [559]	36 [914]	29-1/4 [743]	31 [787]
OSCV-100-HDPE	100	4 [102]	85 [39]	1/4 [6]	28 [711]	42 [1067]	35-1/4 [895]	37 [940]
OSCV-150-HDPE	150	4 [102]	100 [45]	1/4 [6]	31 [787]	48 [1219]	41-1/4 [1048]	42 [1067]
OSCV-175-HDPE	175	4 [102]	125 [57]	1/4 [6]	30 [762]	57 [1448]	50-1/4 [1276]	53-1/2 [1360]
OSCV-200-HDPE	200	4 [102]	140 [64]	1/4 [6]	36 [914]	48 [1219]	41-1/4 [1048]	42 [1067]

- ___ -LDPT light-duty pedestrian traffic cover
- ___ -HDPT heavy-duty pedestrian traffic cover

- ___ -36R or S heavy-duty vehicular 36" diameter or square manhole frame and cover for OSCV-55
- ___ -42R or S heavy-duty vehicular 42" diameter or square manhole frame and cover for OSCV-100, 150 and 175 models
- ___ -48R or S heavy-duty vehicular 48" diameter or square manhole frame and cover for OSCV-200