

SPECIFICATIONS (OI-SS-1250)

1. 4" inlet/outlet (No-Hub)
2. Liquid capacity: 1250 U.S. Gallons 4,921 Litres
3. Grease Retention Capacity at Flow Rate of 100 GPM: 3,492 lbs. (485 Gallons)
4. Grease Retention Capacity at Flow Rate of 250 GPM: 1,916 lbs. (266 Gallons)
5. Unit weight with standard covers: 1,160 lbs.
6. Made from rotationally molded High Density Polypropylene (HDPE)
7. Made in USA / Limited Lifetime Warranty / Both indoor and outdoor use



**CERTIFIED
MANAGEMENT SYSTEM
- ISO 9001:2015**



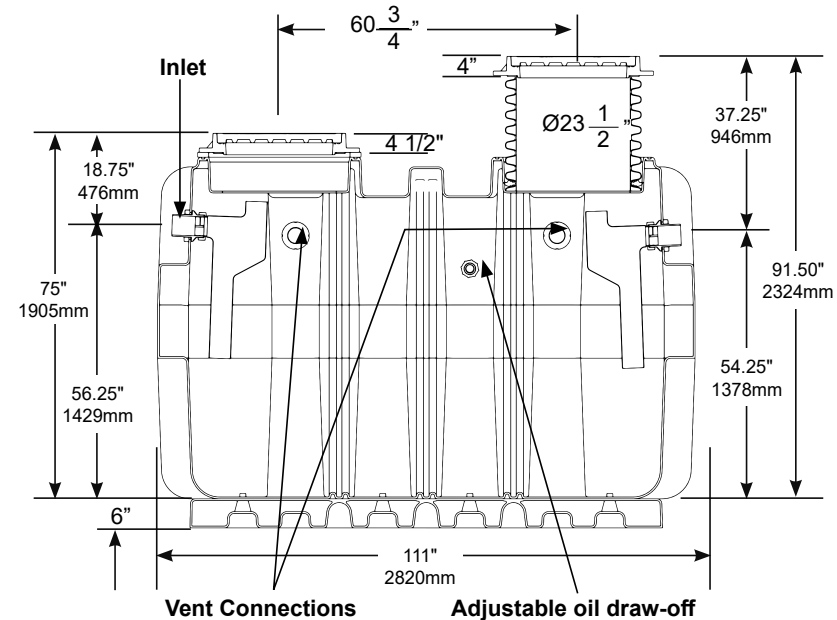
TOWN & COUNTRY PLASTICS

Customized For Precision

Suffix	Optional Variations
-AK	Anchor kit (set of two)
-C	Lid extension (specify dimension required)
-COA	Coalescer Pack
-DI	Ductile iron lid & collar
-FL-C	Membrane clamp kit
-F6	6" No Hub Inlet / Outlet connection (flow rate of 700 GPM with 6" connections)
-F8	8" No Hub Inlet / Outlet connection (fabricated stainless steel) (flow rate of 1,200 GPM with 8" connections)
-HLA	High level alarm and float switch (to be installed on site)
-HT	Holding Tank
-LHSI	4" no hub inlet on left hand side
-LHSO	4" no hub outlet on left hand side
-POK	Remote pump out kit
-RHSI	4" no hub inlet on right hand side
-RHSO	4" no hub outlet on right hand side
-RPO	4" Remote pump outlet connections on top of interceptor - specify location and number required
-SB	Sediment bucket
-SP	External Sampling port - inline, high connections
-SP-L	External Sampling port - inline, low connections
-SP-OFF	External Sampling port - offset
-V	Vent connection - 4" (specify number required and location - side and / or top)

OI-SS-1250 Gravity Oil Interceptor

U.S. Patent
9,551,142



SIGNATURE OF APPROVAL: _____

COMPANY: _____

DATE OF APPROVAL: _____

SERIES PART NUMBER: OI-SS

DESCRIPTION: T&C SS Series high density polyethylene (H.D.P.E.) oil interceptor.

Other sizes: 500, 750, 1000, 1300, 1500, 2000 (liquid holding capacity - gallons) Not tested to PDI standards.



TOWN & COUNTRY PLASTICS
Customized For Precision

Town and Country Plastics, LLC, 10-B Timber Lane, Marlboro, NJ 07746
1-732-780-5300 • Fax 1-732-294-0001
www.tandcplastics.com • sales@tandcplastics.com