

Location: _____

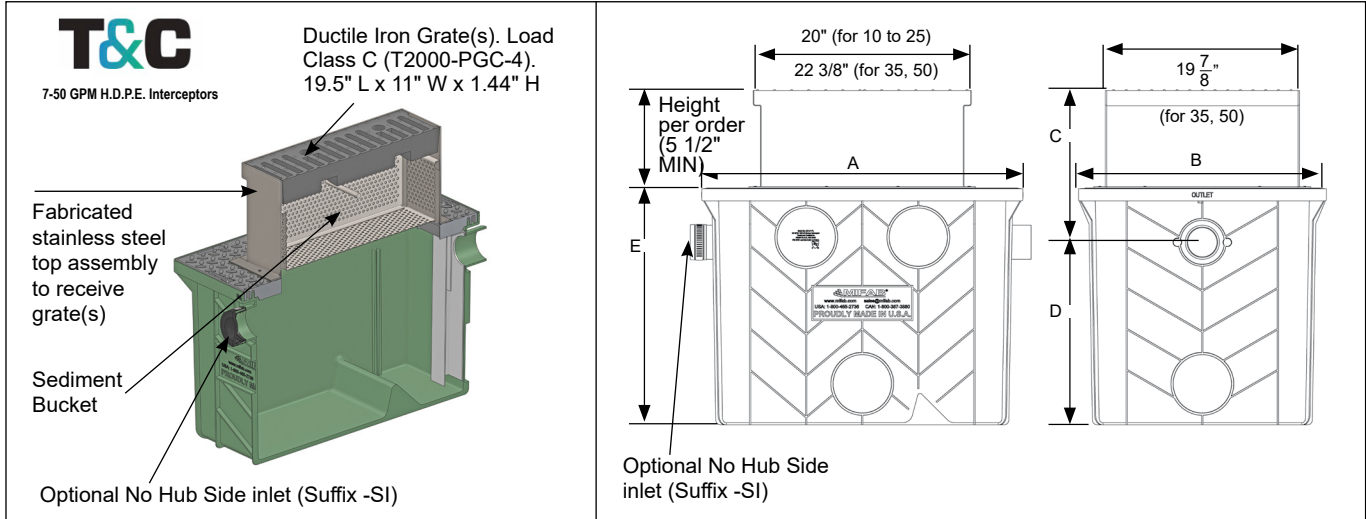


OS-PL

**T&C – 10 to 50 GPM
HDPE Oil / Sediment Interceptors**

Specification: T&C OS Series HDPE injection molded oil / sediment interceptor with liquid holding capacity of _____ (indicate). Unit shall include: sediment bucket (1/4" diameter holes) underneath top inlet ductile iron grate(s), deep seal trap.

Function: Oil / sediment interceptors are required anywhere oil and sediment may be introduced to the public sewer system in applications such as: repair garages, oil change stations, car wash facilities, parking garages and facilities where oil and flammable liquid waste are produced as a result of manufacturing, storage, maintenance, repair or testing processes. Sediment and debris are collected inside of the internal sediment bucket. Regular maintenance is required to keep the interceptor functioning. Interceptor to be installed flush with the floor. Standard PL-OS models are made with open top ductile iron grate(s). The optional -SI models are made with a no hub inlet.



| MODEL NO. | LIQUID CAP. (Gallons / Cu. Ft.) | SLUDGE CAPACITY (L.B.S.) | A (IN) | B (IN) WIDTH | D (IN) | E (IN) | F (IN) (OUTLET) | Number of Grates | Shipping Weight (lbs.) |
|-----------|------------------------------------|-----------------------------|-----------|-----------------|-----------|-----------|--------------------|---------------------|---------------------------|
| OS-PL-10 | 9.2 / 1.2 | 15 | 23 | 17.5 | 9.75 | 13.25 | 2 | 1 | 50 |
| OS-PL-15 | 13 / 1.7 | 20 | 23 | 17.5 | 13.25 | 16.75 | 2 | 1 | 53 |
| OS-PL-20 | 16 / 2.1 | 25 | 29.5 | 20.5 | 10.75 | 14.25 | 3 | 1 | 61 |
| OS-PL-25 | 23 / 3.1 | 60 | 29.5 | 20.5 | 14.75 | 18.25 | 3 | 1 | 64 |
| OS-PL-35 | 39 / 5.2 | 80 | 33 | 25.5 | 16.75 | 22.25 | 3 | 2 | 77 |
| OS-PL-50 | 44 / 5.9 | 90 | 33 | 25.5 | 18.75 | 24.25 | 3 | 2 | 91 |

| OPTIONAL VARIATIONS | PART NO. |
|--|-------------|
| Stainless steel veneer bolted to top of ductile iron grate | Contact T&C |
| Extension "C" as required (up to 9" increments) (up to OS-PL-25) | OS-25-EXT |
| Extension "C" as required (up to 9" increments) (up to OS-PL-50) | OS-50-EXT |
| Connection sizes different from standard (specify size) (up to 4" with No Hub and up to 3" with F.I.P. connection) | Contact T&C |
| External sampling port - inline | PL-SP |
| External sampling port - offset | PL-SP-OFF |

CALIFORNIA PROPOSITION 65 WARNING. This product contains chemicals known to the State of California to cause cancer and birth defects or other reproductive harm.

Job Name: _____ Page No: _____
 Section No: _____ Contractor: _____
 Schedule No: _____ Purchase Order No: _____