

## MODEL 106-PGM / S106-PGM

### Integral Back-Up, Dual Diaphragm, Hydraulically Operated Valve

#### KEY FEATURES

- Ideal for applications requiring redundant and back-up security
- Virtually uninterrupted control under a variety of system failures
- Remote annunciation option available
- Available in globe and angle style

#### PRODUCT OVERVIEW

The 106-PGM and S106-PGM series valves are designed for particularly sensitive applications or situations where valves are difficult to access and maintain.

The PGM series valves provide integral back-up control and the ability to signal should the desired function move off limits. It can also provide an independent and very positive override.

It is a variation of the standard single chamber 106-PG valve with modifications that add the following features:

- Back-up diaphragm
- Completely self-contained
- Modulating or emergency close back-up
- Back-up components kept out of the main stream until required
- Extremely positive shut-off
- Emergency close for security breach or earthquake

With SRD technology the valve becomes incredibly steady throughout a complete range of flows and eradicates the need of additional low flow bypass valves.

The PGM series valves may be combined with additional Singer® specific accessories to add further customization such as:

- Back-up pilot system
- Annunciation with an Single Pole Double Throw Limit Switch

Refer to Main Valve Options and Pilots & Accessories in the Singer Full Product Catalogue customize the valve to suit specific applications.



#### ALTERNATIVE MODELS



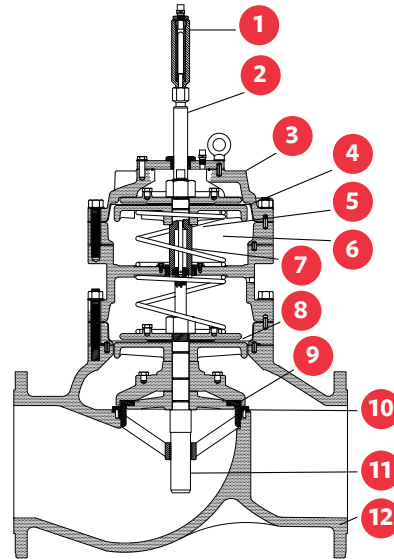
106-PGM ANGLE

# MODEL 106-PGM / S106-PGM

## Integral Back-Up, Dual Diaphragm, Hydraulically Operated Valve

### PRODUCT LINE DRAWING

ID	PART NAME
1	Primary Stem / Position Indicator
2	Secondary Stem
3	ASTM A536 Ductile Iron Construction
4	Buna-N or EPDM Secondary Diaphragm
5	Back-up Secondary Assembly
6	Open to Atmosphere
7	Sliding guide
8	Buna-N / EPDM Primary Diaphragm
9	Buna-N or EPDM Resilient Disc
10	AISI 316 Stainless Steel Seat
11	AISI 316 Stainless Steel Stem
12	NSF 61 Fusion Bonded Epoxy Coating



### SELECTION

The Singer® Model 106-PGM incorporates a second actuator. If the primary system and/or the main valve fails then the back-up pilot system takes over. Under normal operating conditions, there is no external discharge from the PGM. In modulating applications, when the back-up pilot system operates, there is a small (less than 1 USGPM / 0.06 L/s) continuous discharge that should be taken to drain.

The primary pilot function can be duplicated in the secondary pilot system to provide continuing back-up operations or the secondary system can be used for override functions. Consult with us with your specific application requirements.

Sizing of PGM valves are based on the same criteria as standard PG models.

### VALVE SIZES & MATERIALS

#### VALVE MATERIALS

	Standard		Optional
Available Sizes	Threaded	Flanged	-
Globe	3" (80 mm)	3" to 24" (80 - 600 mm)	-
Angle	3" (80 mm)	3" to 12" , 16" (80 - 300 mm, 400 mm)	-

#### VALVE COMPONENTS

Component	Standard	Optional
1. Valve Body, Cover	65-45-12 Ductile Iron	316 Stainless Steel (limited sizes)
2. Seat Ring	316 Stainless Steel	-
3. Disc Retainer	B16 Brass / B62 Bronze / A536 Ductile Iron	316 Stainless Steel
4. Stem	316 Stainless Steel	-
5. Stem Nut	B16 Brass	316 Stainless Steel
6. Spring	316 Stainless Steel	-
7. Guide Bushings	B16 Brass or SAE 660 Bronze	316 Stainless Steel
8. Diaphragm	EPDM	Buna-N / Viton (limited sizes)
9. Resilient Disc	EPDM	Buna-N / Viton (limited sizes)
10. Coating	NSF61 Approved Fusion Bonded Epoxy - Thickness 10-14 mils (250-350 microns)	Consult factory
11. Fasteners	18-8 Stainless Steel	316 Stainless Steel

# MODEL 106-PGM / S106-PGM

## Integral Back-Up, Dual Diaphragm, Hydraulically Operated Valve

### AVAILABLE OPTIONS

Further customize the valve by adding any of the available options below.

### MAIN VALVE OPTIONS

Position Indicators (Available for install at Singer® manufacturing or as a field modification)

- Model X129 limit switch assembly with Single Pole Double Throw limit switch (Double Pole Double Throw optional)
- Model X156 analog position transmitters (4-20 mA)

Oxy-Nitride Stem

Grooved Ends

Internal Drop Check

Reclaimed Water

### PILOTS & ACCESSORIES

### MATERIALS OF CONSTRUCTION

Individual components can be upgraded from ductile iron, bronze and brass to stainless steel, for most sizes. Consult with us.

### ANTI-CAVITATION TRIM

Model 106-AC allows very high pressure drops in one valve, while retaining the standard 106 valve features.

### ORDERING INSTRUCTIONS

Refer to the Singer Full Product Catalogue for the order form and ordering instructions.

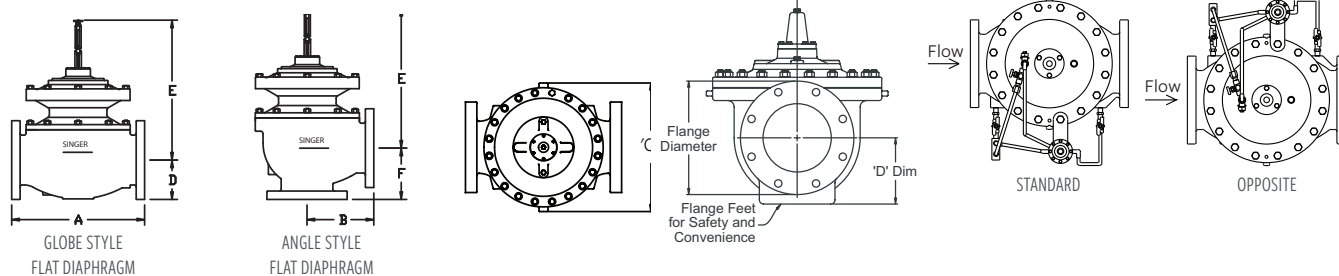
# MODEL 106-PGM / S106-PGM

## Integral Back-Up, Dual Diaphragm, Hydraulically Operated Valve

### ANSI VALVE DATA (US UNITS)

SIZE	DWG	STANDARD	FLAT DIAPHRAGM SYSTEM			
INCHES	REF	ANSI	3"	4"	6"	8"
<b>GLOBE DIMENSIONS</b>			<b>ALL FIGURES SHOWN IN INCHES UNLESS OTHERWISE STATED</b>			
Lay Length	A	FNPT	13.50	-	-	-
Centerline to Bottom	D	FNPT	3.68	-	-	-
Lay Length	A	150F	12.00	15.00	20.00	25.38
Centerline to Bottom	D	150F	3.75	4.60	5.60	7.88
Lay Length	A	300F	13.25	15.63	21.00	26.38
Centerline to Bottom	D	300F	4.13	5.09	6.34	7.88
<b>ANGLE DIMENSIONS</b>						
Center Inlet to Discharge	B	FNPT	6.63	-	-	-
Center Discharge to Inlet	F	FNPT	4.63	-	-	-
Center Inlet to Discharge	B	150F	6.06	7.50	10.00	12.75
Center Discharge to Inlet	F	150F	4.06	5.00	6.00	8.00
Center Inlet to Discharge	B	300F	6.43	7.88	10.50	13.25
Center Discharge to Inlet	F	300F	4.43	5.31	6.50	8.50
<b>COMMON DIMENSIONS (GLOBE &amp; ANGLE)</b>						
Width	C		9.25	10.88	16.75	21.63
Height (To Indicator) Globe	E		17.63	19.43	21.00	26.88
Height (To Indicator) Angle	E		17.63	19.13	20.63	27.38
Body Port Tapping		FNPT	$\frac{3}{8}$	$\frac{3}{8}$	$\frac{3}{8}$	$\frac{1}{2}$
Stem Cap Plug		MNPT	$\frac{3}{8}$	$\frac{3}{8}$	$\frac{3}{8}$	$\frac{3}{8}$
Cover Port Tapping		FNPT	$\frac{3}{8}$	$\frac{3}{8}$	$\frac{1}{2}$	$\frac{1}{2}$
Valve Stroke			$1 \frac{1}{8}$	$1 \frac{1}{16}$	$1 \frac{11}{16}$	$2 \frac{7}{8}$
Displaced Bonnet Volume (Gallons)			0.1	0.2	0.6	1.7
Approximate Shipping Weight (Lbs)			150	210	450	705
<b>FLOW CAPACITIES (USGPM) GLOBE &amp; ANGLE</b>						
$C_v$ - Globe			110	200	460	800
$C_v$ - Angle			135	230	535	950
Continuous (Globe)			460	800	1800	3100
Intermittent (Globe)			575	1000	2250	3875
Momentary (Globe)			1030	1800	4000	7000
<b>MAXIMUM PRESSURE RATINGS (DUCTILE ONLY)</b>						
psi <sup>1</sup>		FNPT	400	-	-	-
psi		150F	250	250	250	250
psi <sup>1</sup>		300F	400	400	400	400
<b>MAXIMUM TEMPERATURE</b>						
Fahrenheit			180°	180°	180°	180°

<sup>1</sup>Valves rated and stamped 400 psi as standard. Valves rated and stamped 600 psi on request.



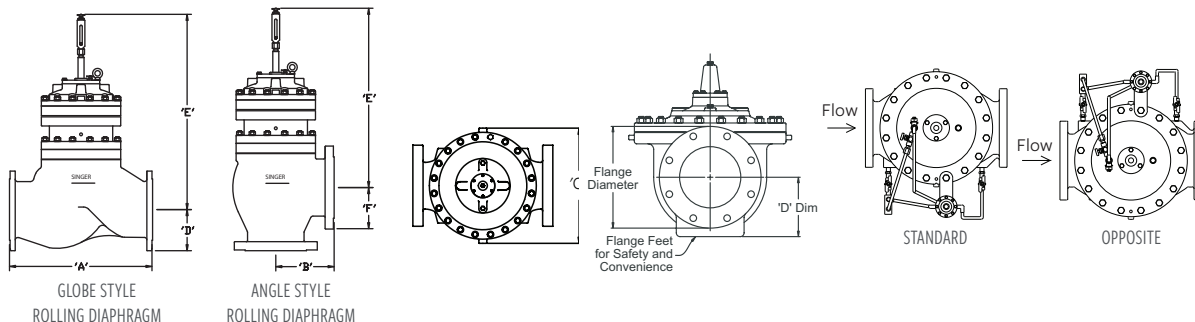
# MODEL 106-PGM / S106-PGM

## Integral Back-Up, Dual Diaphragm, Hydraulically Operated Valve

### ANSI VALVE DATA (US UNITS)

SIZE	DWG	STANDARD	ROLLING DIAPHRAGM SYSTEM							
INCHES	REF	ANSI	6"	8"	10"	12"	14"	16"	20"	24"
<b>GLOBE DIMENSIONS</b>			<b>ALL FIGURES SHOWN IN INCHES UNLESS OTHERWISE STATED.</b>							
Lay Length	A	FNPT	-	-	-	-	-	-	-	-
Centerline to Bottom	D	FNPT	-	-	-	-	-	-	-	-
Lay Length	A	150F	20.00	25.38	29.75	34.00	31.00	41.38	52.00	61.50
Centerline to Bottom	D	150F	5.60	7.63	8.56	9.50	10.50	11.75	14.43	17.13
Lay Length	A	300F	21.00	26.38	31.12	35.50	32.50	43.50	53.62	63.25
Centerline to Bottom	D	300F	6.34	7.88	9.31	10.25	11.50	12.75	15.75	19.65
<b>ANGLE DIMENSIONS</b>										
Center Inlet to Discharge	B	FNPT	-	-	-	-	-	-	-	-
Center Discharge to Inlet	F	FNPT	-	-	-	-	-	-	-	-
Center Inlet to Discharge	B	150F	10.00	12.75	11.50	13.75	-	18.00	-	-
Center Discharge to Inlet	F	150F	6.00	8.00	12.50	12.50	-	15.69	-	-
Center Inlet to Discharge	B	300F	10.50	13.25	12.19	14.50	-	18.81	-	-
Center Discharge to Inlet	F	300F	6.50	8.50	13.19	13.25	-	16.50	-	-
<b>COMMON DIMENSIONS (GLOBE AND ANGLE)</b>										
Width	C		12.75	17.25	22.13	26.00	26.00	32.00	35.00	49.68
Height (To Indicator) Globe	E		25.5	33.5	39.38	44.50	44.63	52.13	59.50	61.50
Height (To Indicator) Angle	E		25.5	33.5	36.00	41.50	-	49.13	-	-
Body Port Tapping		FNPT	3/8	1/2	1/2	3/4	3/4	3/4	3/4	3/4
Stem Cap Plug		MNPT	3/8	3/8	3/4	3/4	3/4	3/4	3/4	3/4
Cover Port Tapping		FNPT	1/2	1/2	3/4	3/4	3/4	3/4	3/4	3/4
Valve Stroke			1 1/16	2 7/8	3 1/4	3 3/4	3 3/4	4 3/4	5 9/16	6
Displaced Bonnet Volume (Gallons)			0.50	1.00	1.5	2.3	2.3	6.8	9.0	14.8
Approximate Shipping Weight (Lbs)			400	750	1000	1365	1500	2600	4315	7500
<b>FLOW CAPACITIES (USGPM) GLOBE &amp; ANGLE</b>										
C <sub>v</sub> - Globe			460	800	1300	2100	2575	3300	5100	7600
C <sub>v</sub> - Angle			535	950	1400	2450	-	4000	-	-
Continuous (Globe)			1800	3100	4900	7000	8500	11000	17500	25000
Intermittent (Globe)			2250	3875	6100	8800	11500	14250	21700	31200
Momentary (Globe)			4000	7000	11000	16000	19000	25000	39000	56200
<b>MAXIMUM PRESSURE RATINGS (DUCTILE ONLY)</b>										
psi <sup>1</sup>		FNPT	-	-	-	-	-	-	-	-
psi		150F	250	250	250	250	250	250	250	250
psi <sup>1</sup>		300F	400	400	400	400	400	400	400	400
<b>MAXIMUM TEMPERATURE</b>										
Fahrenheit			180°	180°	180°	180°	180°	180°	180°	180°

<sup>1</sup>Valves rated and stamped 400 psi as standard. Valves rated and stamped 600 psi on request.



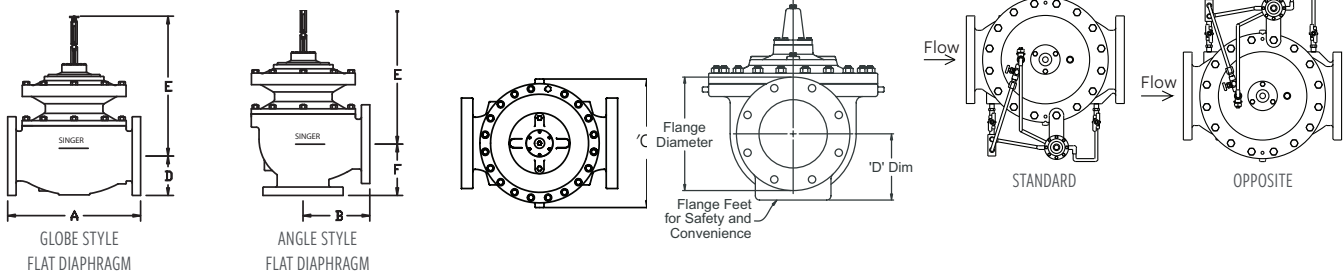
# MODEL 106-PGM / S106-PGM

## Integral Back-Up, Dual Diaphragm, Hydraulically Operated Valve

### ANSI VALVE DATA (METRIC UNITS)

SIZE	DWG	STANDARD	FLAT DIAPHRAGM SYSTEM			
			80 MM	100 MM	150 MM	200 MM
MM	REF	ANSI				
<b>GLOBE DIMENSIONS</b>			<b>ALL FIGURES SHOWN IN MM UNLESS OTHERWISE STATED</b>			
Lay Length	A	FNPT	343	-	-	-
Centerline to Bottom	D	FNPT	93	-	-	-
Lay Length	A	150F	305	381	508	645
Centerline to Bottom	D	150F	95	117	142	200
Lay Length	A	300F	337	397	533	670
Centerline to Bottom	D	300F	105	129	161	200
<b>ANGLE DIMENSIONS</b>						
Center Inlet to Discharge	B	FNPT	168	-	-	-
Center Discharge to Inlet	F	FNPT	118	-	-	-
Center Inlet to Discharge	B	150F	154	191	254	324
Center Discharge to Inlet	F	150F	103	127	152	203
Center Inlet to Discharge	B	300F	163	200	267	337
Center Discharge to Inlet	F	300F	113	135	165	216
<b>COMMON DIMENSIONS (GLOBE &amp; ANGLE)</b>						
Width	C		235	276	425	549
Height (To Indicator) Globe	E		448	494	533	683
Height (To Indicator) Angle	E		448	486	524	695
Body Port Tapping	FNPT	Inches	$\frac{3}{8}$	$\frac{3}{8}$	$\frac{3}{8}$	$\frac{1}{2}$
Stem Cap Plug	MNPT	Inches	$\frac{3}{8}$	$\frac{3}{8}$	$\frac{3}{8}$	$\frac{3}{8}$
Cover Port Tapping	FNPT	Inches	$\frac{3}{8}$	$\frac{3}{8}$	$\frac{1}{2}$	$\frac{1}{2}$
Valve Stroke		mm	29	37	43	73
Displaced Bonnet Volume (Litres)			0.3	0.8	2.1	6.3
Approximate Shipping Weight (Kilograms)			68	95	204	320
<b>FLOW CAPACITIES (L/S) (GLOBE &amp; ANGLE)</b>						
$K_v$ - Globe ( $m^3/h$ @ 1 bar)			95	173	398	692
$K_v$ - Angle ( $m^3/h$ @ 1 bar)			117	199	463	822
Continuous (Globe)			29	50	114	196
Intermittent (Globe)			36	63	142	244
Momentary (Globe)			65	114	252	442
<b>MAXIMUM PRESSURE RATINGS (DUCTILE ONLY)</b>						
Bar <sup>1</sup>		FNPT	27.6	-	-	-
Bar		150F	17	17	17	17
Bar <sup>1</sup>		300F	27.6	27.6	27.6	27.6
<b>MAXIMUM TEMPERATURE</b>						
Celsius			82°	82°	82°	82°

<sup>1</sup>Valves rated and stamped 27.6 bar as standard. Valves rated and stamped 41 bar on request.



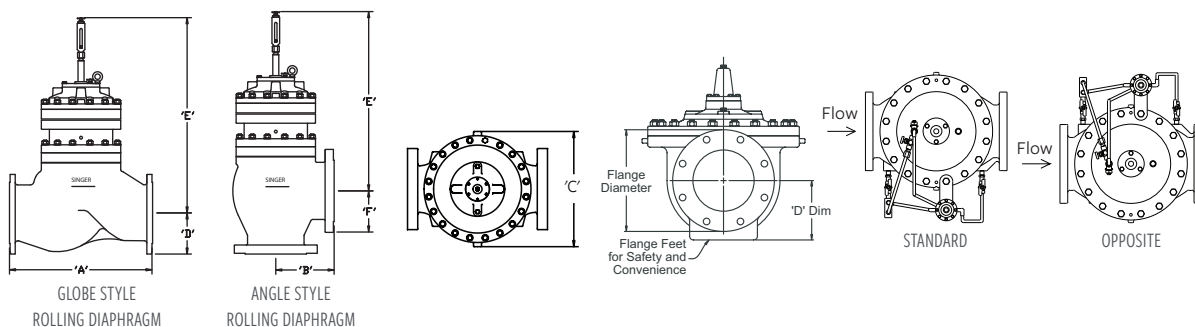
# MODEL 106-PGM / S106-PGM

## Integral Back-Up, Dual Diaphragm, Hydraulically Operated Valve

### ANSI VALVE DATA (METRIC UNITS)

SIZE	DWG	STANDARD	ROLLING DIAPHRAGM SYSTEM							
MM	REF	ANSI	150 MM	200 MM	250 MM	300 MM	350 MM	400 MM	500 MM	600 MM
<b>GLOBE DIMENSIONS</b>			<b>ALL FIGURES SHOWN IN MM UNLESS OTHERWISE STATED</b>							
Lay Length	A	FNPT	-	-	-	-	-	-	-	-
Centerline to Bottom	D	FNPT	-	-	-	-	-	-	-	-
Lay Length	A	150F	508	645	756	864	787	1051	1321	1562
Centerline to Bottom	D	150F	142	200	217	241	267	298	367	435
Lay Length	A	300F	533	670	790	902	826	1105	1362	1607
Centerline to Bottom	D	300F	161	200	236	260	292	324	400	499
<b>ANGLE DIMENSIONS</b>										
Center Inlet to Discharge	B	FNPT	-	-	-	-	-	-	-	-
Center Discharge to Inlet	F	FNPT	-	-	-	-	-	-	-	-
Center Inlet to Discharge	B	150F	254	324	292	349	-	457	-	-
Center Discharge to Inlet	F	150F	152	203	318	318	-	399	-	-
Center Inlet to Discharge	B	300F	267	337	310	368	-	478	-	-
Center Discharge to Inlet	F	300F	165	216	335	337	-	419	-	-
<b>COMMON DIMENSIONS (GLOBE &amp; ANGLE)</b>										
Width	C		324	438	562	660	660	813	889	1262
Height (To Indicator) Globe	E		650	850	1000	1130	1134	1324	1551	1562
Height (To Indicator) Angle	E		650	850	914	1054	-	1248	-	-
Body Port Tapping	FNPT	Inches	3/8	1/2	1/2	3/4	3/4	3/4	3/4	3/4
Stem Cap Plug	MNPT	Inches	3/8	3/8	3/4	3/4	3/4	3/4	3/4	3/4
Cover Port Tapping	FNPT	Inches	1/2	1/2	3/4	3/4	3/4	3/4	3/4	3/4
Valve Stroke		mm	43	73	83	95	95	120	141	150
Displaced Bonnet Volume (Litres)			2	4	6	9	9	26	34	56
Approximate Shipping Weight (Kilograms)			180	340	454	619	680	1179	1957	3400
<b>FLOW CAPACITIES (L/S) (GLOBE &amp; ANGLE)</b>										
$K_v$ - Globe ( $m^3/h$ @ 1 bar)			398	692	1125	1817	2227	2855	4412	6574
$K_v$ - Angle ( $m^3/h$ @ 1 bar)			463	822	1211	2119	-	3460	-	-
Continuous (Globe)			114	196	309	442	536	694	1104	1577
Intermittent (Globe)			142	244	385	555	726	899	1370	1968
Momentary (Globe)			252	442	694	1009	1199	1577	2460	3546
<b>MAXIMUM PRESSURE RATINGS (DUCTILE ONLY)</b>										
Bar <sup>1</sup>	FNPT		-	-	-	-	-	-	-	-
Bar	150F		17	17	17	17	17	17	17	17
Bar <sup>1</sup>	300F		27.6	27.6	27.6	27.6	27.6	27.6	27.6	27.6
<b>MAXIMUM TEMPERATURE</b>										
Celsius			82°	82°	82°	82°	82°	82°	82°	82°

<sup>1</sup>Valves rated and stamped 27.6 bar as standard. Valves rated and stamped 41 bar on request.

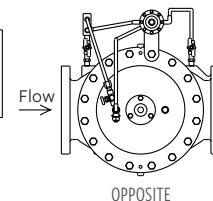
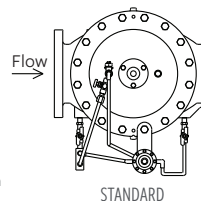
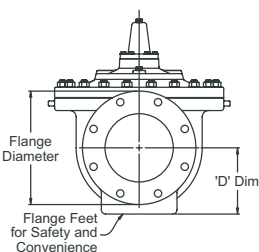
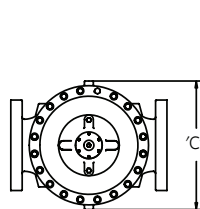
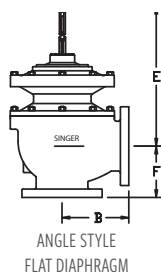
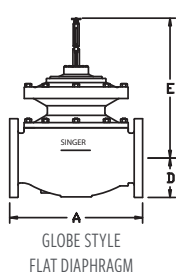


# MODEL 106-PGM / S106-PGM

## Integral Back-Up, Dual Diaphragm, Hydraulically Operated Valve

### ISO VALVE DATA (METRIC UNITS)

SIZE	DWG	STANDARD	FLAT DIAPHRAGM SYSTEM			
			80 MM	100 MM	150 MM	200 MM
MM	REF	ISO				
<b>GLOBE DIMENSIONS</b>			<b>ALL FIGURES SHOWN IN MM UNLESS OTHERWISE STATED</b>			
Lay Length	A	BSPT	343	-	-	-
Centerline to Bottom	D	BSPT	93	-	-	-
Lay Length	A	PN10 / PN16	305	381	508	645
Centerline to Bottom	D	PN10 / PN16	95	117	142	200
Lay Length	A	PN25 / PN40	337	397	533	670
Centerline to Bottom	D	PN25 / PN40	105	129	161	200
<b>ANGLE DIMENSIONS</b>						
Center Inlet to Discharge	B	BSPT	168	-	-	-
Center Discharge to Inlet	F	BSPT	118	-	-	-
Center Inlet to Discharge	B	PN10 / PN16	154	191	254	324
Center Discharge to Inlet	F	PN10 / PN16	103	127	152	203
Center Inlet to Discharge	B	PN25 / PN40	163	200	267	337
Center Discharge to Inlet	F	PN25 / PN40	113	135	165	216
<b>COMMON DIMENSIONS (GLOBE &amp; ANGLE)</b>						
Width	C		235	276	425	549
Height (To Indicator) Globe	E		448	494	533	683
Height (To Indicator) Angle	E		448	486	524	695
Body Port Tapping	FNPT	Inches	$\frac{3}{8}$	$\frac{3}{8}$	$\frac{3}{8}$	$\frac{1}{2}$
Stem Cap Plug	MNPT	Inches	$\frac{3}{8}$	$\frac{3}{8}$	$\frac{3}{8}$	$\frac{3}{8}$
Cover Port Tapping	FNPT	Inches	$\frac{3}{8}$	$\frac{3}{8}$	$\frac{1}{2}$	$\frac{1}{2}$
Valve Stroke		mm	29	37	43	73
Displaced Bonnet Volume (Litres)			0.3	0.8	2.1	6.3
Approximate Shipping Weight (Kilograms)			68	95	204	320
<b>FLOW CAPACITIES (L/S) (GLOBE &amp; ANGLE)</b>						
$K_v$ - Globe ( $m^3/h$ @ 1 bar)			95	173	398	692
$K_v$ - Angle ( $m^3/h$ @ 1 bar)			117	199	463	822
Continuous (Globe)			29	50	114	196
Intermittent (Globe)			36	63	142	244
Momentary (Globe)			65	114	252	442
<b>MAXIMUM PRESSURE RATINGS (DUCTILE ONLY)</b>						
Bar		BSPT	27.6	-	-	-
Bar		PN16	16	16	16	16
Bar		PN25	25	25	25	25
<b>MAXIMUM TEMPERATURE</b>						
Celcius			82°	82°	82°	82°



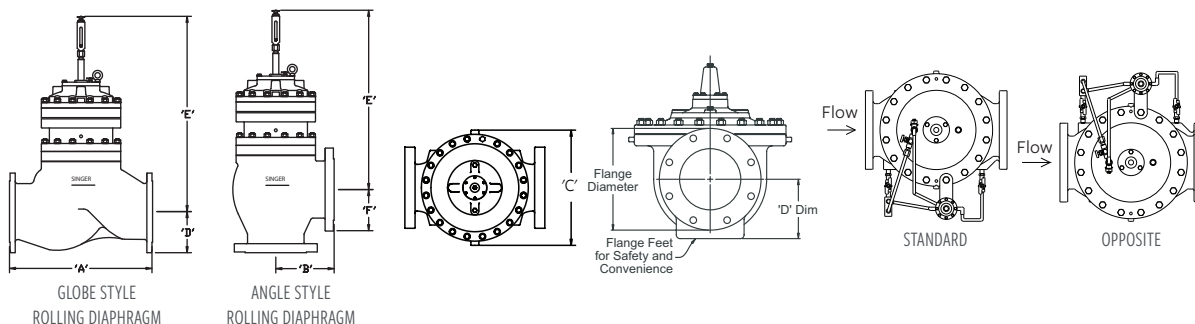


# MODEL 106-PGM / S106-PGM

## Integral Back-Up, Dual Diaphragm, Hydraulically Operated Valve

### ANSI VALVE DATA (METRIC UNITS)

SIZE	DWG	STANDARD	ROLLING DIAPHRAGM SYSTEM								
			MM	REF	INSO	150 MM	200 MM	250 MM	300 MM	350 MM	400 MM
<b>GLOBE DIMENSIONS</b>			<b>ALL FIGURES SHOWN IN MM UNLESS OTHERWISE STATED</b>								
Lay Length	A	BSPT	-	-	-	-	-	-	-	-	-
Centerline to Bottom	D	BSPT	-	-	-	-	-	-	-	-	-
Lay Length	A	PN10 / PN16	508	645	756	864	787	1051	1321	1562	
Centerline to Bottom	D	PN10 / PN16	142	200	217	241	267	298	367	436	
Lay Length	A	PN25 / PN40	533	670	790	864	826	1105	1362	1607	
Centerline to Bottom	D	PN25 / PN40	161	200	243	241	292	324	400	499	
<b>ANGLE DIMENSIONS</b>											
Center Inlet to Discharge	B	BSPT	-	-	-	-	-	-	-	-	
Center Discharge to Inlet	F	BSPT	-	-	-	-	-	-	-	-	
Center Inlet to Discharge	B	PN10 / PN16	254	324	292	349	-	457	-	-	
Center Discharge to Inlet	F	PN10 / PN16	152	203	318	318	-	399	-	-	
Center Inlet to Discharge	B	PN25 / PN40	267	337	310	368	-	478	-	-	
Center Discharge to Inlet	F	PN25 / PN40	165	216	335	337	-	419	-	-	
<b>COMMON DIMENSIONS (GLOBE &amp; ANGLE)</b>											
Width	C		324	438	562	660	660	813	889	1262	
Height (To Indicator) Globe	E		650	850	1000	1130	1134	1324	1511	1562	
Height (To Indicator) Angle	E		650	850	914	1054	-	1248	-	-	
Body Port Tapping	FNPT	Inches	3/8	1/2	1/2	3/4	3/4	3/4	3/4	3/4	
Stem Cap Plug	MNPT	Inches	3/8	3/8	3/4	3/4	3/4	3/4	3/4	3/4	
Cover Port Tapping	FNPT	Inches	1/2	1/2	3/4	3/4	3/4	3/4	3/4	3/4	
Valve Stroke		mm	43	73	83	95	95	120	141	150	
Displaced Bonnet Volume (Litres)			2	4	6	9	9	26	34	56	
Approximate Shipping Weight (Kilograms)			180	340	454	619	680	1179	1957	3400	
<b>FLOW CAPACITIES (L/S) (GLOBE &amp; ANGLE)</b>											
$K_v$ - Globe ( $m^3/h$ @ 1 bar)			398	692	1125	1817	2227	2855	4412	6574	
$K_v$ - Angle ( $m^3/h$ @ 1 bar)			463	822	1211	2119	-	3460	-	-	
Continuous (Globe)			114	196	309	442	536	694	1104	1577	
Intermittent (Globe)			142	244	385	555	726	899	1370	1968	
Momentary (Globe)			252	442	694	1009	1199	1577	2460	3546	
<b>MAXIMUM PRESSURE RATINGS (DUCTILE ONLY)</b>											
Bar	BSPT		-	-	-	-	-	-	-	-	
Bar	PN16		16	16	16	16	16	16	16	16	
Bar	PN25		25	25	25	25	25	25	25	25	
<b>MAXIMUM TEMPERATURE</b>											
Celcius			82°	82°	82°	82°	82°	82°	82°	82°	



***For more information about us or to view our full line of water products, please visit [www.singervalue.com](http://www.singervalue.com) or call Singer® customer service at 833.367.6835.***

Mueller refers to one or more of Mueller Water Products, Inc. a Delaware corporation ("MWP"), and its subsidiaries. MWP and each of its subsidiaries are legally separate and independent entities when providing products and services. MWP does not provide products or services to third parties. MWP and each of its subsidiaries are liable only for their own acts and omissions and not those of each other. MWP brands include Mueller®, Echologics®, Hydro Gate®, Hydro-Guard®, HYMAX®, Jones®, Krausz®, Mi.Net®, Milliken®, Pratt®, Pratt Industrial®, Singer®, and U.S. Pipe Valve & Hydrant. Please see [muellervp.com/brands](http://muellervp.com/brands) and [krauszusa.com](http://krauszusa.com) to learn more.

© 2021 Mueller SV, Ltd. All Rights Reserved. The trademarks, logos and service marks displayed in this document are the property of Mueller SV, Ltd., its affiliates or other third parties. Products above marked with a section symbol (§) are subject to patents or patent applications. For details, visit [www.mwppat.com](http://www.mwppat.com). These products are intended for use in potable water applications. Please contact your Mueller Sales or Customer Service Representative concerning any other application(s).

F14489 1/21

