

SINGER®

a **MUELLER** brand

MODEL 206-PT / 206-PTC / S206-PT / S206-PTC

Double Chamber Hydraulically Operated Valve

KEY FEATURES

- Positive control, even with low operating pressure
- Precise positioning
- Internal drop check included on the PTC model
- Available in globe and angle style

PRODUCT OVERVIEW

The 206-PT and 206-PTC series control valves are hydraulically operated by introducing or releasing water from the control chambers. PT and PTC valves have two operating chambers which are divided from each other by the diaphragm, and are separated from the flowing media by an adaptor plate.

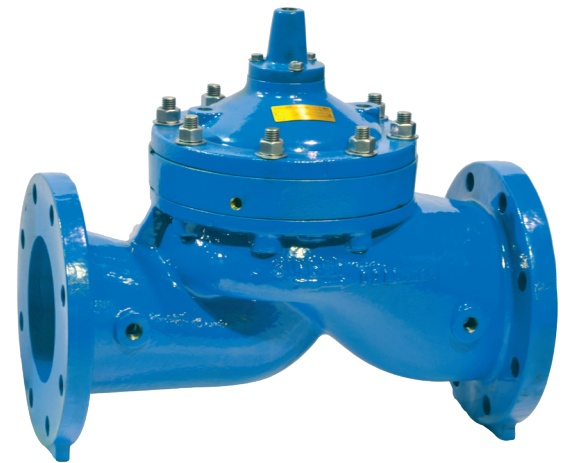
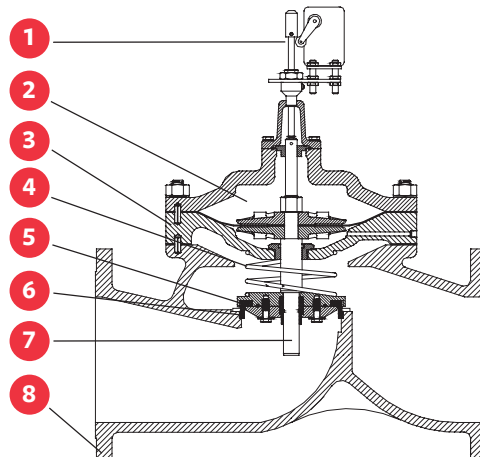
206-PTC is an enhancement of the 206-PT and includes an internal drop check feature. This mechanical check provides non-slam closure on reverse flow, independently of the stem position or the pilot operation.

PT and PTC valves are usually combined with our specific purpose pilots and accessories to provide control for a wide range of functions: typically pump control and solenoid control applications.

Refer to Main Valve Options and Pilots & Accessories in the Singer Full Product Catalogue to further customize the valve to suit specific applications.

PRODUCT LINE DRAWING

ID	PART NAME
1	Optional Model X129 Limit Switch Assembly
2	Double Chambers Separated From The Flowing Media
3	ASTM A536 Ductile Iron Construction
4	Optional Internal Check Feature (PT)
5	EPDM Resilient Disc
6	AISI 316 Stainless Steel Seat
7	AISI 316 Stainless Steel Stem
8	NSF 61 Fusion Bonded Epoxy Coating



ALTERNATIVE MODELS



A206-PT ANGLE

SELECTION

The 206-PT and 206-PTC valves operate by introducing or exhausting water from the upper and lower chambers at controlled rates. Since the operating chambers are separated from the flowing media, a positive and precise differential pressure can be established across the diaphragm. Valves are sized to provide an appropriate pressure drop for each application. Valves usually exhaust to atmosphere. Sizing is ultimately determined by the specific application. Refer to the capacity charts for general guidelines.

MODEL 206-PT / 206-PTC / S206-PT / S206-PTC

Double Chamber Hydraulically Operated Valve

VALVE SIZES & MATERIALS

VALVE MATERIALS

	Standard	Optional
Available Sizes	Flanged	-
Globe	3" to 36" (80 mm - 900 mm)	-
Angle	4" to 8" (100 mm - 200 mm)	-

VALVE COMPONENTS

1. Valve Body, Cover	65-45-12 Ductile Iron	316 Stainless Steel (limited sizes)
2. Seat Ring	316 Stainless Steel	-
3. Disc Retainer	B16 Brass / B62 Bronze / A536 Ductile Iron	316 Stainless Steel
4. Stem	316 Stainless Steel	-
5. Stem Nut	B16 Brass	316 Stainless Steel
6. Spring	316 Stainless Steel	-
7. Guide Bushings	B16 Brass or SAE 660 Bronze	316 Stainless Steel
8. Diaphragm	EPDM	Buna-N / Viton (limited sizes)
9. Resilient Disc	EPDM	Buna-N / Viton (limited sizes)
10. Coating	NSF61 Approved Fusion Bonded Epoxy - Thickness 10-14 mils (250-350 microns)	Consult factory
11. Fasteners	18-8 Stainless Steel	316 Stainless Steel

Double-chambered automatic control valves are typically used for pump control. Other uses would include but not be limited to low-pressure differential applications. 206-PT and 206-PTC valves are particularly well suited for applications that require valves to open fully regardless of flow or pressure drop or any application where more relatively constant, controlled speed is required.

AVAILABLE OPTIONS

Further customize the valve by adding any of the available options below.

MAIN VALVE OPTIONS

Position Indicators (Available for install at Singer® manufacturing or as a field modification)

- Model X107 stem mounted position indicators
- Model X129 limit switch assembly with Single Pole Double Throw limit switch (Double Pole Double Throw optional)
- Model X156 analog position transmitters (4 - 20 mA)

Oxy-Nitride Stem
Reclaimed Water

Grooved Ends

PILOTS & ACCESSORIES, MATERIALS OF CONSTRUCTION

Individual components can be upgraded from ductile iron, bronze and brass to stainless steel, for most sizes. Consult with us.

ORDERING INSTRUCTIONS

Refer to the Singer Full Product Catalogue for the order form and ordering instructions.

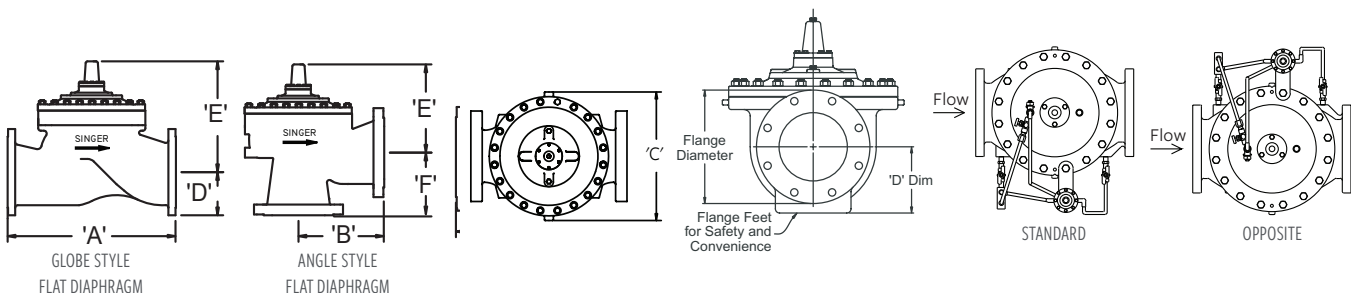
MODEL 206-PT / 206-PTC / S206-PT / S206-PTC

Double Chamber Hydraulically Operated Valve

VALVE DATA (US UNITS)

SIZE	DWG	STANDARD	FLAT DIAPHRAGM SYSTEM				
INCHES	REF	ANSI	3"	4"	6"	8"	10"
GLOBE DIMENSIONS			ALL FIGURES SHOWN IN INCHES UNLESS OTHERWISE STATED				
Lay Length	A	FNPT	-	-	-	-	-
Centerline to Bottom	D	FNPT	-	-	-	-	-
Lay Length	A	150F	12.00	15.00	20.13	25.00	24.50
Centerline to Bottom	D	150F	4.00	4.60	5.62	6.75	8.56
Lay Length	A	300F	-	15.63	21.00	26.00	25.88
Centerline to Bottom	D	300F	-	5.00	6.34	7.50	9.31
ANGLE DIMENSIONS							
Center Inlet to Discharge	B	FNPT	-	-	-	-	-
Center Discharge to Inlet	F	FNPT	-	-	-	-	-
Center Inlet to Discharge	B	150F	-	7.56	10.19	12.50	-
Center Discharge to Inlet	F	150F	-	5.94	6.19	9.00	-
Center Inlet to Discharge	B	300F	-	7.88	10.63	13.00	-
Center Discharge to Inlet	F	300F	-	6.25	6.81	9.50	-
COMMON DIMENSIONS (GLOBE & ANGLE)							
Width	C		8.19	10.00	12.50	16.00	20.00
Height (To Stem Cap) Globe	E		8.93	11.28	12.25	16.25	21.38
Height (To Stem Cap) Angle	E		-	9.50	10.50	13.43	-
Body Port Tapping		FNPT	3/8	3/8	3/8	1/2	1/2
Stem Cap Plug		MNPT	3/8	3/8	3/8	3/8	3/8
Cover Port Tapping		FNPT	3/8	3/8	3/8	1/2	1/2
Valve Stroke			1 5/16	1 1/8	1 7/16	1 11/16	2 7/8
Displaced Bonnet Volume (Gallons)			0.02	0.1	0.2	0.6	1.7
Approximate Shipping Weight (Lbs)			75	100	250	500	650
Flow Capacities (USGPM) Globe & Angle							
C _v - Globe			60	150	250	505	985
C _v - Angle			-	150	250	560	-
Continuous (Globe)			300	580	1025	2300	4100
Intermittent (Globe)			373	690	1190	2700	4670
Momentary (Globe)			564	1236	2160	4800	8400
MAXIMUM PRESSURE RATINGS (DUCTILE ONLY)							
psi		FNPT	-	-	-	-	-
psi		150F	250	250	250	250	250
psi ¹		300F	400	400	400	400	400
MAXIMUM TEMPERATURE							
Fahrenheit			180°	180°	180°	180°	180°

¹Valves rated and stamped 400 psi as standard. Valves rated and stamped 600 psi on request.



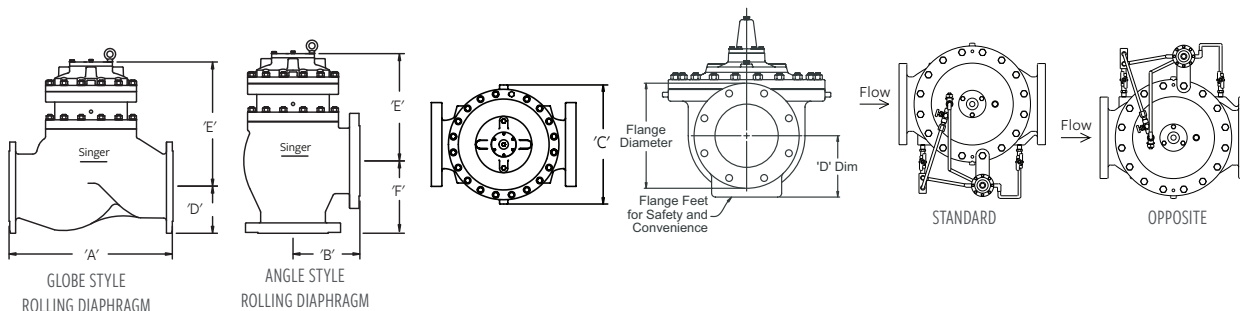
MODEL 206-PT / 206-PTC / S206-PT / S206-PTC

Double Chamber Hydraulically Operated Valve

VALVE DATA (US UNITS)

SIZE	DWG	STANDARD	ROLLING DIAPHRAGM SYSTEM								
			INCHES	REF	ANSI	12"	16"	18"	20"	24" X 16"	24" X 20"
GLOBE DIMENSIONS			ALL FIGURES SHOWN IN INCHES UNLESS OTHERWISE STATED.								
Lay Length	A	FNPT	-	-	-	-	-	-	-	-	-
Centerline to Bottom	D	FNPT	-	-	-	-	-	-	-	-	-
Lay Length	A	150F	27.50	36.00	42.00	45.00	50.50	61.50	69.93	69.93	
Centerline to Bottom	D	150F	9.50	11.75	12.50	13.93	16.50	17.13	20.69	23.75	
Lay Length	A	300F	29.00	37.63	43.63	46.63	52.25	63.25	-	-	
Centerline to Bottom	D	300F	10.50	12.75	14.00	15.25	18.00	19.65	-	-	
ANGLE DIMENSIONS											
Center Inlet to Discharge	B	FNPT	-	-	-	-	-	-	-	-	
Center Discharge to Inlet	F	FNPT	-	-	-	-	-	-	-	-	
Center Inlet to Discharge	B	150F	-	-	-	-	-	-	-	-	
Center Discharge to Inlet	F	150F	-	-	-	-	-	-	-	-	
Center Inlet to Discharge	B	300F	-	-	-	-	-	-	-	-	
Center Discharge to Inlet	F	300F	-	-	-	-	-	-	-	-	
COMMON DIMENSIONS (GLOBE & ANGLE)											
Width	C		22.13	26.00	31.31	31.50	36.00	36.00	49.75	49.75	
Height (To Stem Cap) Globe	E		22.63	27.00	32.38	32.38	32.38	41.75	45.75	45.75	
Height (To Stem Cap) Angle	E		-	-	-	-	-	-	-	-	
Body Port Tapping		FNPT	3/4	3/4	3/4	3/4	3/4	3/4	3/4	3/4	
Stem Cap Plug		MNPT	3/4	3/4	3/4	3/4	3/4	3/4	3/4	3/4	
Cover Port Tapping		FNPT	3/4	3/4	3/4	3/4	3/4	3/4	3/4	3/4	
Valve Stroke			3 1/4	3 3/4	4 3/4	4 3/4	4 3/4	5 9/16	6	6	
Displaced Bonnet Volume (Gallons)			1.5	2.3	6.8	6.8	14.8	9.0	14.8	14.8	
Approximate Shipping Weight (Lbs)			900	1400	2400	2600	2800	3240	6200	7000	
FLOW CAPACITIES (USGPM) GLOBE & ANGLE											
C _v - Globe			1550	2200	3300	3400	3500	5100	7800	8000	
C _v - Angle			-	-	-	-	-	-	-	-	
Continuous (Globe)			6400	9230	16500	16500	16500	21700	33650	33800	
Intermittent (Globe)			7320	10470	20915	20915	20915	26000	37490	37640	
Momentary (Globe)			13200	19200	30000	30050	30100	39000	67490	67640	
MAXIMUM PRESSURE RATINGS (DUCTILE ONLY)											
psi		FNPT	-	-	-	-	-	-	-	-	
psi		150F	250	250	250	250	250	250	250	250	
psi ¹		300F	400	400	400	400	400	400	400	400	
MAXIMUM TEMPERATURE											
Fahrenheit			180°	180°	180°	180°	180°	180°	180°	180°	

¹Valves rated and stamped 400 psi as standard. Valves rated and stamped 600 psi on request.



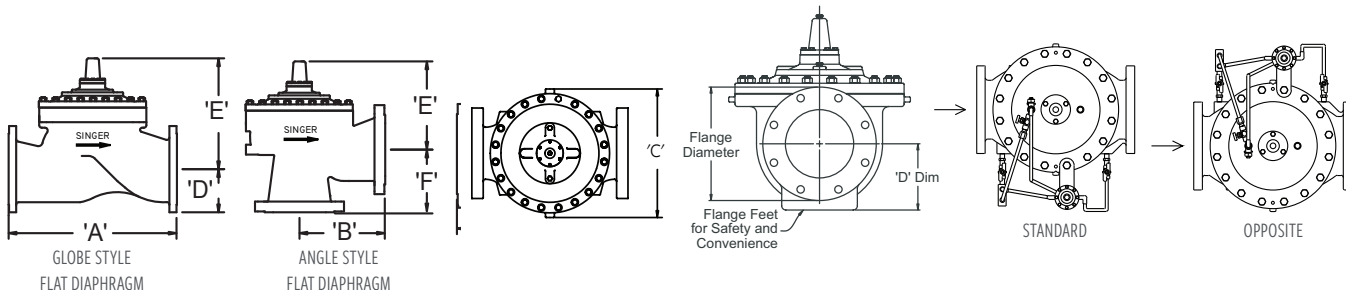
MODEL 206-PT / 206-PTC / S206-PT / S206-PTC

Double Chamber Hydraulically Operated Valve

ANSI VALVE DATA (METRIC UNITS)

SIZE	DWG	STANDARD	FLAT DIAPHRAGM SYSTEM				
MM	REF	ANSI	80 MM	100 MM	150 MM	200 MM	250 MM
GLOBE DIMENSIONS			ALL FIGURES SHOWN IN MM UNLESS OTHERWISE STATED				
Lay Length	A	FNPT	-	-	-	-	-
Centerline to Bottom	D	FNPT	-	-	-	-	-
Lay Length	A	150F	305	381	511	635	622
Centerline to Bottom	D	150F	102	117	143	171	217
Lay Length	A	300F	-	397	533	660	657
Centerline to Bottom	D	300F	-	127	161	191	236
ANGLE DIMENSIONS							
Center Inlet to Discharge	B	FNPT	-	-	-	-	-
Center Discharge to Inlet	F	FNPT	-	-	-	-	-
Center Inlet to Discharge	B	150F	-	192	259	318	-
Center Discharge to Inlet	F	150F	-	151	157	229	-
Center Inlet to Discharge	B	300F	-	200	270	330	-
Center Discharge to Inlet	F	300F	-	159	173	241	-
COMMON DIMENSIONS (GLOBE & ANGLE)							
Width	C		208	254	318	406	508
Height (To Stem Cap) Globe	E		227	287	311	413	543
Height (To Stem Cap) Angle	E		-	241	267	341	-
Body Port Tapping	FNPT	Inches	$\frac{3}{8}$	$\frac{3}{8}$	$\frac{3}{8}$	$\frac{3}{8}$	$\frac{1}{2}$
Stem Cap Plug	MNPT	Inches	$\frac{3}{8}$	$\frac{3}{8}$	$\frac{3}{8}$	$\frac{3}{8}$	$\frac{3}{8}$
Cover Port Tapping	FNPT	Inches	$\frac{3}{8}$	$\frac{3}{8}$	$\frac{3}{8}$	$\frac{1}{2}$	$\frac{1}{2}$
Valve Stroke		mm	14	29	37	43	73
Displaced Bonnet Volume (Litres)			0.1	0.3	0.8	2.1	6.3
Approximate Shipping Weight (Kilograms)			34	45	113	227	295
FLOW CAPACITIES (L/S) GLOBE & ANGLE							
K_v - Globe (m ³ /h @ 1 bar)			52	130	216	437	852
K_v - Angle (m ³ /h @ 1 bar)			-	130	216	484	-
Continuous (Globe)			19	37	65	145	259
Intermittent (Globe)			24	44	75	170	295
Momentary (Globe)			36	78	136	303	530
MAXIMUM PRESSURE RATINGS (DUCTILE ONLY)							
Bar		FNPT	-	-	-	-	-
Bar		150F	17	17	17	17	17
Bar ¹		300F	27.6	27.6	27.6	27.6	27.6
MAXIMUM TEMPERATURE							
Celcius			82°	82°	82°	82°	82°

¹Valves rated and stamped 27.6 bar as standard. Valves rated and stamped 41 bar on request.



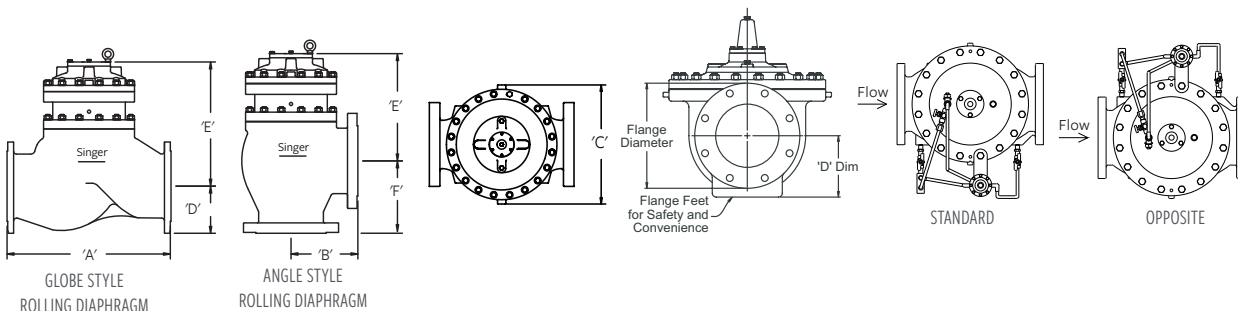
MODEL 206-PT / 206-PTC / S206-PT / S206-PTC

Double Chamber Hydraulically Operated Valve

ANSI VALVE DATA (METRIC UNITS)

SIZE	DWG	STANDARD	ROLLING DIAPHRAGM SYSTEM						
MM	REF	ANSI	300 MM	400 MM	450 MM	500 MM	600 X 400 MM	600 X 500 MM	900 MM
GLOBE DIMENSIONS			ALL FIGURES SHOWN IN MM UNLESS OTHERWISE STATED.						
Lay Length	A	FNPT	-	-	-	-	-	-	-
Centerline to Bottom	D	FNPT	-	-	-	-	-	-	-
Lay Length	A	150F	699	914	1067	1143	1283	1562	1776
Centerline to Bottom	D	150F	241	298	318	354	419	435	588
Lay Length	A	300F	737	956	1108	1184	1327	1607	-
Centerline to Bottom	D	300F	267	324	356	387	457	499	-
ANGLE DIMENSIONS									
Center Inlet to Discharge	B	FNPT	-	-	-	-	-	-	-
Center Discharge to Inlet	F	FNPT	-	-	-	-	-	-	-
Center Inlet to Discharge	B	150F	-	-	-	-	-	-	-
Center Discharge to Inlet	F	150F	-	-	-	-	-	-	-
Center Inlet to Discharge	B	300F	-	-	-	-	-	-	-
Center Discharge to Inlet	F	300F	-	-	-	-	-	-	-
COMMON DIMENSIONS GLOBE									
Width	C		562	660	795	800	914	914	1262
Height (To Stem Cap) Globe	E		575	686	822	822	822	1060	1162
Height (To Stem Cap) Angle	E		-	-	-	-	-	-	-
Body Port Tapping	FNPT	Inches	3/4	3/4	3/4	3/4	3/4	3/4	3/4
Stem Cap Plug	MNPT	Inches	3/4	3/4	3/4	3/4	3/4	3/4	3/4
Cover Port Tapping	FNPT	Inches	3/4	3/4	3/4	3/4	3/4	3/4	3/4
Valve Stroke		mm	83	95	120	120	120	141	150
Displaced Bonnet Volume (Liters)			6	9	26	26	26	34	56
Approximate Shipping Weight (Kilograms)			408	635	1089	1179	1270	1470	3175
FLOW CAPACITIES (L/S) GLOBE									
K_v - Globe (m^3/h @ 1 bar)			1341	1903	2855	2941	3028	4412	6920
K_v - Angle (m^3/h @ 1 bar)			-	-	-	-	-	-	-
Continuous (Globe)			404	582	1041	1041	1041	1370	2132
Intermittent (Globe)			465	661	1320	1320	1320	1640	2375
Momentary (Globe)			833	1211	1893	1896	1899	2460	4267
MAXIMUM PRESSURE RATINGS (DUCTILE ONLY)									
Bar	FNPT		-	-	-	-	-	-	-
Bar	150F		17	17	17	17	17	17	17
Bar ¹	300F		27.6	27.6	27.6	27.6	27.6	27.6	27.6
MAXIMUM TEMPERATURE									
Celsius			82°	82°	82°	82°	82°	82°	82°

¹Valves rated and stamped 27.6 bar as standard. Valves rated and stamped 41 bar on request.



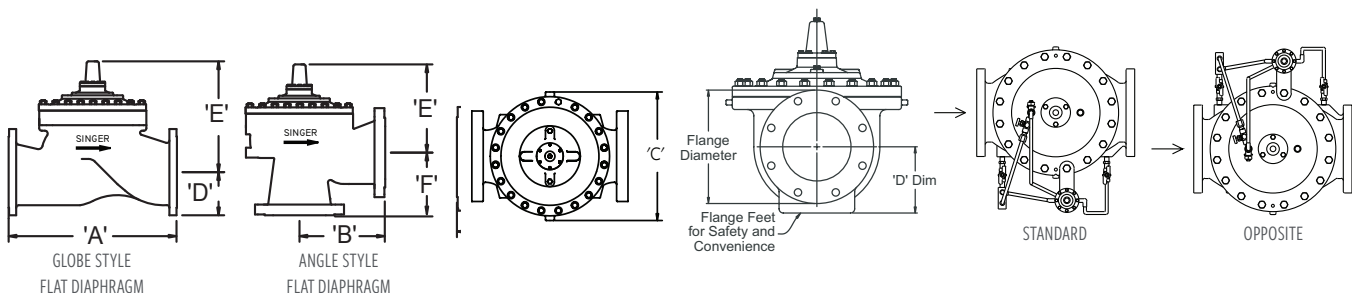
MODEL 206-PT / 206-PTC / S206-PT / S206-PTC

Double Chamber Hydraulically Operated Valve

ISO VALVE DATA (METRIC UNITS)

SIZE	DWG	STANDARD	FLAT DIAPHRAGM SYSTEM				
MM	REF	ISO	80 MM	100 MM	150 MM	200 MM	250 MM
GLOBE DIMENSIONS			ALL FIGURES SHOWN IN MM UNLESS OTHERWISE STATED				
Lay Length	A	BSPT	-	-	-	-	-
Centerline to Bottom	D	BSPT	-	-	-	-	-
Lay Length	A	PN10/PN16	305	381	511	635	622
Centerline to Bottom	D	PN10/PN16	102	117	143	171	217
Lay Length	A	PN25/PN40	-	397	533	660	657
Centerline to Bottom	D	PN25/PN40	-	127	161	191	236
ANGLE DIMENSIONS							
Center Inlet to Discharge	B	BSPT	-	-	-	-	-
Center Discharge to Inlet	F	BSPT	-	-	-	-	-
Center Inlet to Discharge	B	PN10/PN16	-	192	259	318	-
Center Discharge to Inlet	F	PN10/PN16	-	151	157	229	-
Center Inlet to Discharge	B	PN25/PN40	-	200	270	330	-
Center Discharge to Inlet	F	PN25/PN40	-	159	173	241	-
COMMON DIMENSIONS (GLOBE & ANGLE)							
Width	C		208	254	318	406	508
Height (To Stem Cap) Globe	E		227	287	311	413	543
Height (To Stem Cap) Angle	E		-	241	267	341	-
Body Port Tapping	FNPT	Inches	3/8	3/8	3/8	3/8	1/2
Stem Cap Plug	MNPT	Inches	3/8	3/8	3/8	3/8	3/8
Cover Port Tapping	FNPT	Inches	3/8	3/8	3/8	1/2	1/2
Valve Stroke		mm	14	29	37	43	73
Displaced Bonnet Volume (Litre)			0.1	0.3	0.8	2.1	6.3
Approximate Shipping Weight (Kilograms)			34	45	113	227	295
FLOW CAPACITIES (L/S) GLOBE & ANGLE							
K _v - Globe (m ³ /h @ 1 bar)			52	130	216	437	852
K _v - Angle (m ³ /h @ 1 bar)			-	130	216	484	-
Continuous (Globe)			19	37	65	145	259
Intermittent (Globe)			24	44	75	170	295
Momentary (Globe)			36	78	136	303	530
MAXIMUM PRESSURE RATINGS (DUCTILE ONLY)							
Bar	FNPT		-	-	-	-	-
Bar	PN16		16	16	16	16	16
Bar ¹	PN25		25	25	25	25	25
MAXIMUM TEMPERATURE							
Celcius			82°	82°	82°	82°	82°

¹Valves rated and stamped 27.6 bar as standard. Valves rated and stamped 41 bar on request.

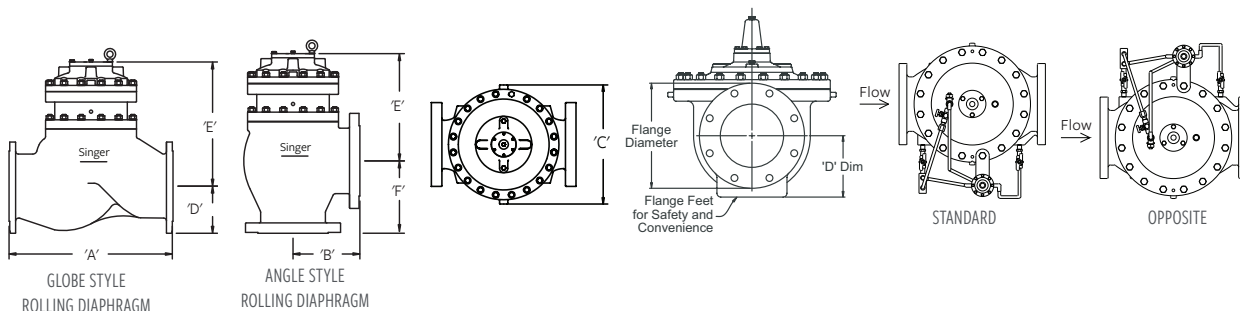


MODEL 206-PT / 206-PTC / S206-PT / S206-PTC

Double Chamber Hydraulically Operated Valve

ISO VALVE DATA (METRIC UNITS)

SIZE	DWG	STANDARD	ROLLING DIAPHRAGM SYSTEM									
			MM	REF	ISO	300 MM	400 MM	450 MM	500 MM	600 X 400 MM	600 X 500 MM	700 MM
GLOBE DIMENSIONS			ALL FIGURES SHOWN IN MM UNLESS OTHERWISE STATED									
Lay Length	A	BSPT	-	-	-	-	-	-	-	-	-	-
Centerline to Bottom	D	BSPT	-	-	-	-	-	-	-	-	-	-
Lay Length	A	PN10 / PN16	699	914	1067	1143	1283	1562	1607	1776	1776	
Centerline to Bottom	D	PN10 / PN16	241	298	318	354	419	435	499	526	588	
Lay Length	A	PN25 / PN40	699	956	1108	1184	1327	1607				
Centerline to Bottom	D	PN25 / PN40	241	324	356	387	457	499				
ANGLE DIMENSIONS												
Center Inlet to Discharge	B	BSPT	-	-	-	-	-	-	-	-	-	-
Center Discharge to Inlet	F	BSPT	-	-	-	-	-	-	-	-	-	-
Center Inlet to Discharge	B	PN10 / PN16	-	-	-	-	-	-	-	-	-	-
Center Discharge to Inlet	F	PN10 / PN16	-	-	-	-	-	-	-	-	-	-
Center Inlet to Discharge	B	PN25 / PN40	-	-	-	-	-	-	-	-	-	-
Center Discharge to Inlet	F	PN25 / PN40	-	-	-	-	-	-	-	-	-	-
COMMON DIMENSIONS GLOBE												
Width	C		562	660	800	775	914	914	1262	1262	1262	
Height (To Stem Cap) Globe	E		575	686	822	822	822.00	1060.00	1162	1162	1162	
Height (To Stem Cap) Angle	E		-	-	-	-	-	-	-	-	-	
Body Port Tapping	FNPT	Inches	3/4	3/4	3/4	3/4	3/4	3/4	3/4	3/4	3/4	
Stem Cap Plug	MNPT	Inches	3/4	3/4	3/4	3/4	3/4	3/4	3/4	3/4	3/4	
Cover Port Tapping	FNPT	Inches	3/4	3/4	3/4	3/4	3/4	3/4	3/4	3/4	3/4	
Valve Stroke		mm	83	95	120	120	120	141	150	150	150	
Displaced Bonnet Volume (Litres)			6	9	26	26	26	34	56	56	56	
Approximate Shipping Weight (Kilograms)			408	635	1089	1179	1270	1470	2721	2993	3175	
FLOW CAPACITIES (L/S) GLOBE												
K_v - Globe (m^3/h @ 1 bar)			1341	1903	2855	2941	3028	4412	6920	1870	1890	
K_v - Angle (m^3/h @ 1 bar)			-	-	-	-	-	-	-	-	-	
Continuous (Globe)			404	582	1041	1041	1041	1370	2120	2126	2132	
Intermittent (Globe)			465	661	1320	1320	1320	1640	2362	2368	2375	
Momentary (Globe)			833	1211	1893	1896	1899	2460	4255	4261	4267	
MAXIMUM PRESSURE RATINGS (DUCTILE ONLY)												
Bar		BSPT	-	-	-	-	-	-	-	-	-	
Bar		PN16	16	16	16	16	16	16	16	16	16	
Bar		PN25	25	25	25	25	25	25	25	25	25	
MAXIMUM TEMPERATURE												
Celcius			82°	82°	82°	82°	82°	82°	82°	82°	82°	



For more information about us or to view our full line of water products, please visit www.singervalue.com or call Singer® customer service at 833.367.6835.

Mueller refers to one or more of Mueller Water Products, Inc. a Delaware corporation ("MWP"), and its subsidiaries. MWP and each of its subsidiaries are legally separate and independent entities when providing products and services. MWP does not provide products or services to third parties. MWP and each of its subsidiaries are liable only for their own acts and omissions and not those of each other. MWP brands include Mueller®, Echologics®, Hydro Gate®, Hydro-Guard®, HYMAX®, Jones®, Krausz®, Mi.Net®, Milliken®, Pratt®, Pratt Industrial®, Singer®, and U.S. Pipe Valve & Hydrant. Please see muellerwp.com/brands and krauszusa.com to learn more.

© 2021 Mueller SV, Ltd. All Rights Reserved. The trademarks, logos and service marks displayed in this document are the property of Mueller SV, Ltd., its affiliates or other third parties. Products above marked with a section symbol (§) are subject to patents or patent applications. For details, visit www.mwppat.com. These products are intended for use in potable water applications. Please contact your Mueller Sales or Customer Service Representative concerning any other application(s).

F14488 1/21

