

Limited Warranty

What This Warranty Covers

This is a "Limited" warranty. This warranty covers any defects in materials and workmanship and warranty only applies to the original purchaser and is not transferable. This warranty is also only valid if the original purchase was made from an authorized Wet Sounds™ dealer.

How Long Coverage Last

This warranty runs for one year from the date of the purchase. It is recommended to REGISTER your warranty online within 45 days of your purchase at www.wetsounds.com - click on "warranty registration"

What Is Not Covered

This warranty does not cover fading or discoloration caused by exposure to sunlight or chemicals such as ammonia, household bleach, or any cleaning material that contains abrasive substances. (For information on how to prevent fading or discoloration, consult www.wetsounds.com for recommendations on cleaning products). Wet Sounds, Inc. does not cover the cost for removal and reinstallation of any kind. Additionally, shipping TO Wet Sounds, Inc. is covered by the purchaser. This warranty is void and inapplicable if Wet Sounds™ deems that the product was abused or misused; including but not limited to Speaker product that has been improperly-powered (under or over powered), causing thermal (burnt voice coil) and/or mechanical failure (torn surrounds or spiders), damage caused by accident, mishandling, improper installation, negligence, normal wear and tear, excessive water or heat damage, freight damage or products that have been altered in any way. Product owned by anyone other than the original purchaser from an authorized Wet Sounds dealer. (The warranty is not transferable and will not apply to products purchased from unauthorized dealers.) Wet Sounds is not responsible for any damages to a consumer's boat or person from a product failure. The warranty is void if Wet Sounds deems the product was installed or used improperly. Wet Sounds shall not be responsible for any incidental or consequential damages, except to the extent provided (or prohibited) by applicable law. This warranty gives you specific legal rights, and you may also have other rights which vary from state.

What Wet Sounds, Inc. Will Do

Wet Sounds, Inc will repair any part of your product that proves to be defective in materials or workmanship. In the event repair is not possible, Wet Sounds, Inc will replace the product in question. If it is deemed necessary Wet Sounds, Inc. will either replace the entire product with a new or a refurbished unit or it will be replaced with a model that is similar in price if that model is no longer available. Labor cost and materials needed to complete this service will be at no charge to the purchaser. Additionally, the cost of shipping TO the consumer is also covered under this warranty.

How to Obtain Warranty Service

Contact Wet Sounds, Inc. either by phone at 877-938-7757 or by email at warranty@wetsounds.com. A service representative will assist you in the necessary actions to verify that the problem that you are experiencing is covered under warranty. If it is in fact a warranty issue, Wet Sounds will issue an RA number for tracking purposes and give instructions on sending the product in for evaluation.

Internet Warning

Wet Sounds, Inc. products sold on any non authorized web site or internet auction site are void of any and all manufacturer's warranty. Please contact Wet Sounds™ at 877-938-7757 or visit our web site at www.wetsounds.com to search for an authorized site and/or an authorized retailer near you.



SW-650/ SW-65 Marine Speakers

Owner's Manual

Wet Sounds Inc.
1-877-938-7757
www.wetsounds.com
info@wetsounds.com

Thank You for purchasing this Wet Sounds product !

Wet Sounds professional marine audio products represent the ultimate in high performance marine audio. Wet Sounds speakers are specifically engineered to withstand the rigorous marine environment. These speakers were designed to provide amazing output combined with a cutting edge style. Utilizing state of the art acoustic engineering and three dimensional computer aided design, the Wet Sounds marine speakers represent the most advanced marine speakers in the world.

Please take a moment to read the instruction manual before starting your installation. If you have any questions or concerns, please contact your certified Wet Sounds dealer or Wet Sounds at 877-938-7757.

SPEAKER SPECIFICATIONS

SW-650B (Black)
SW-650W (White)

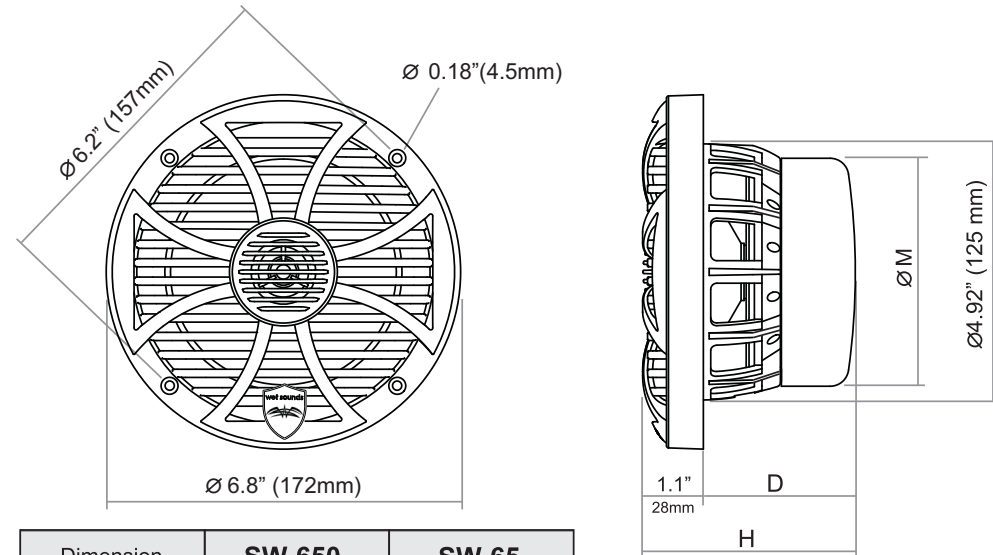
RMS Watts	100 Watts
Peak Watts	200 Watts
Mid Bass	6.5 inch composite woofer with rubber surround
High Frequency	Coaxially mounted Titanium Tweeter
Impedance	4 ohm
Frequency Response	40Hz to 22KHz
Sensitivity	90dB at 1W/1m

SW-65B (Black)
SW-65W (White)

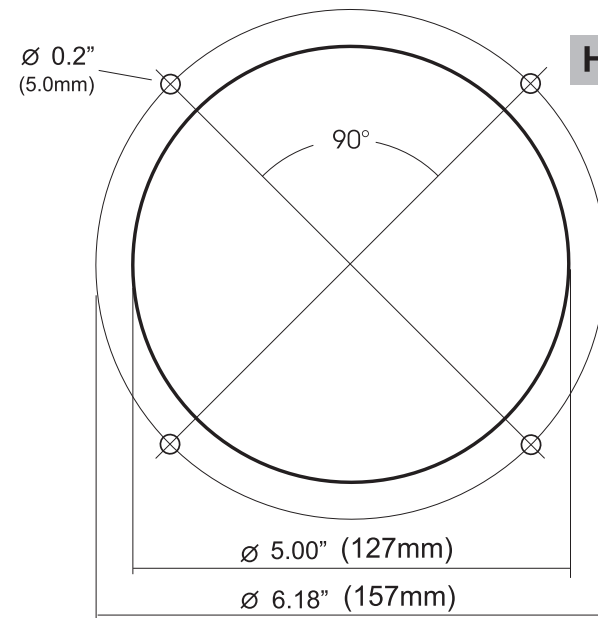
RMS Watts	60 Watts
Peak Watts	120 Watts
Mid Bass	6.5 inch composite woofer with rubber surround
High Frequency	Coaxially mounted Mylar Tweeter
Impedance	4 ohm
Frequency Response	40Hz to 20KHz
Sensitivity	89dB at 1W/1m

Wet Sounds SW-650 and SW-65 are component style coaxial drivers. Using advanced materials throughout such as our exclusive Nylas™ frame and grill and rubber spider. Nylas™ is a composite mix of Nylon and Fiberglass providing improved marine stability and strength over conventional materials normally used in marine speakers. Wet Sounds has also developed a rubber spider for our marine speakers. Rubber is used for the spider as most marine speakers use cloth that will deteriorate over time. The Wet Sounds marine speakers are built to last in the harshest environments. Also they feature a separate tweeter that is grille mounted vs. pole piece mounted. This style of mounting system keeps a sealed woofer eliminating the chances of water intrusion down the pole piece as common with other marine/car audio coaxials.

DIMENSIONS " (mm)



Dimension	SW-650	SW-65
Ø M (") mm	4.45" (113 mm)	3.35" (85 mm)
D (") mm	3.08" (78 mm)	2.6" (66 mm)
H (") mm	4.18" (106 mm)	3.7" (94 mm)



SW-650/ SW-65

HOLE TEMPLATE