

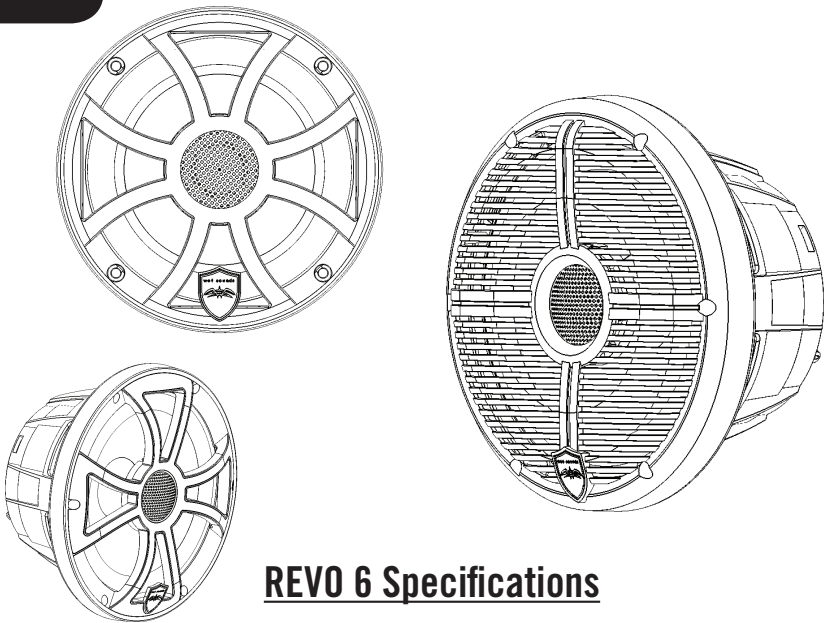
# REVO 6 / REVO 8

## REVO SERIES

Marine Coaxial/Full Range Speaker Systems



# Owner's Manual



## REVO 6 Specifications

| <u>Specifications</u>          | <u>REVO 6</u>     |
|--------------------------------|-------------------|
| Power Handling RMS             | 100 Watts         |
| Power Handling Peak            | 200 Watts         |
| Frequency Response             | 40Hz – 20kHz      |
| Sensitivity (@ 1 Watt/1 Meter) | 90 dB             |
| Weight (pair)                  | 7.8 Lbs (5.53 Kg) |

## REVO 8 Specifications

| <u>Specifications</u>          | <u>REVO 8</u>    |
|--------------------------------|------------------|
| Power Handling RMS             | 150 Watts        |
| Power Handling Peak            | 300 Watts        |
| Frequency Response             | 35Hz – 22kHz     |
| Sensitivity (@ 1 Watt/1 Meter) | 92 dB            |
| Weight (pair)                  | 13 Lbs (5.89 Kg) |



**CONGRATULATIONS!**

**Thank You for purchasing the Wet Sounds REVO series Speaker System.**

Wet Sounds professional marine audio products represent the ultimate in high performance marine audio. Wet Sounds products are specifically engineered to withstand the rigorous marine environment.

**The REVO Series** are state of the art Marine Speaker Systems designed to provide great reproduction for your marine or off-road audio system. The REVO series is available in either a 6.5" or 8" sizes. Both are equipped with a 1" titanium dome tweeter that is designed to be easily serviced in the field. RGB LED lighting is included on the underside of the tweeter for a wide variety of colors to be viewed on the cone.

**REVO Series** speakers are built with Nylas baskets, which is a composite mix of Nylon and Fiberglass providing improved marine stability and strength over conventional materials used in most marine speakers. Wet Sounds has developed a rubber spider that is built to last much longer than the traditional cotton spiders used in most marine speakers.

The tweeter on **REVO speakers** is mounted on the grill, which keeps the mid woofer sealed eliminating any chance of water intrusion through the pole piece as common on many marine coaxial speaker systems. Eight different grill designs are available.

**PLEASE TAKE A MOMENT TO READ THE INSTRUCTION MANUAL BEFORE STARTING YOUR INSTALLATION. IF YOU HAVE ANY QUESTIONS OR CONCERNS, PLEASE CONTACT YOUR CERTIFIED WET SOUNDS DEALER OR WET SOUNDS:**

**877-WET-SPKR (1-877-938-7757)**

**[www.wetsounds.com](http://www.wetsounds.com)**

## OPERATION and INSTALLATION

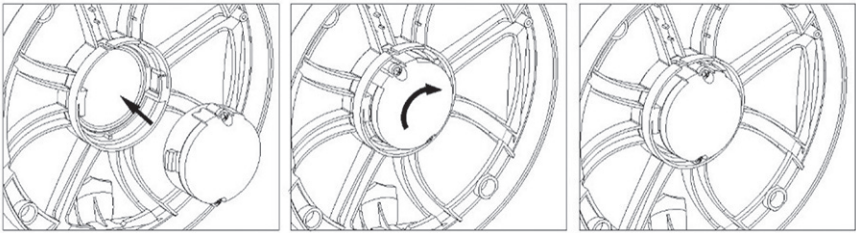
Please review the hole cut out dimensions for REVO6 and REVO8 speakers and make sure that the correct and appropriate opening is provided for the speakers. Be sure to use the stainless steel screws that are provided. This will prevent against corrosion. Also included is a waterproof two conductor connector to connect the speakers to the amplifier or source unit. The red wire is positive, while the black wire is negative.

### For removal and replacement of the tweeter:

1. Remove the grill from the speaker basket. There are 3 screws under the rubber gasket around the speaker basket holding the grill on.
2. Unplug the tweeter wire from the plug that is fixed to the speaker basket. Free the tweeter wire and the RGB LED wire from the grill.
3. Turn the tweeter in a counter-clockwise direction to detach it.
4. Remove the crossover cover from the rear of the speaker magnet by depressing the 3 tabs on the back of the speaker. The RGB LED wires can then be removed.
5. Insert the replacement tweeter in the socket & turn in a clockwise direction until the tabs lock in place. Be sure to route the tweeter and RGB LED wires through the slots on the underside of the grill.
6. Plug the tweeter wire into the plug provided on the speaker basket.
7. Route the RGB LED wire under the crossover cover & reattach the crossover cover – taking care to route the wires through the slots provided in the cover.

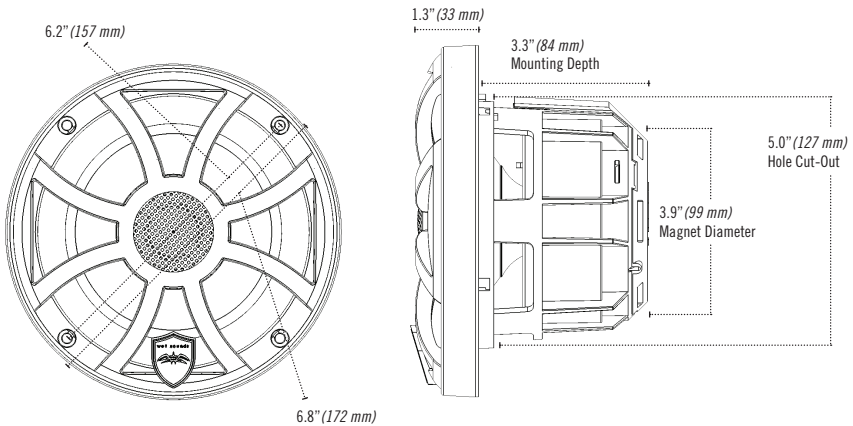
### Special instructions about the RGB LED lighting behind the tweeter:

1. The RGB LED 4 wire harness should be connected with BLACK on +12V (a 2A inline fuse is required to be added). The other 3 wires (RED, BLUE & GREEN) can be combined & connected to ground (-12V) in a variety of combinations to achieve one color of illumination behind the tweeter cup. For instance – grounding RED & BLUE together will result in purple color.
2. Adding an LED controller like the Wet Sounds RF-RGB-MC V2 enables the display of thousands of color combinations, as well as light changing modes and the ability to change the lights with music – all controllable via a hand held wireless remote.

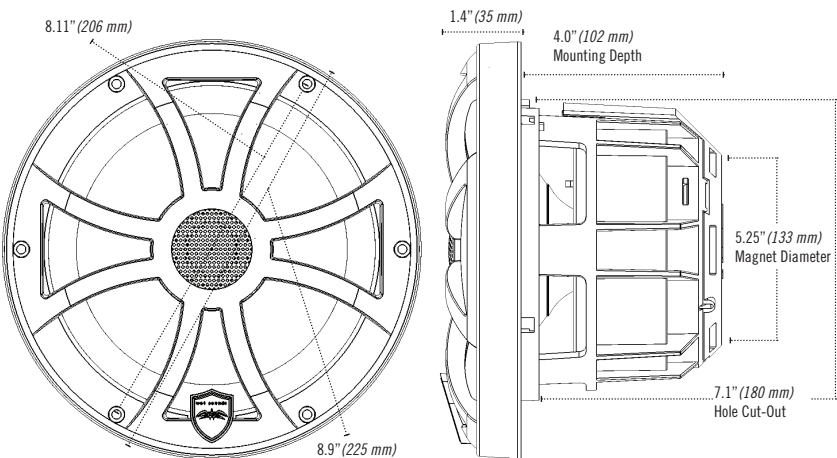


The above diagram shows the installation of the tweeter. Insert & rotate the tweeter clockwise. The removal of the tweeter is the opposite.

### REVO 6 Measurements



### REVO 8 Measurements



## WHAT THIS WARRANTY COVERS

This is a “limited” warranty. This warranty covers any defect in materials and workmanship. This warranty only covers the original purchaser and is not transferable. This warranty is also only valid if the original purchase was made from an authorized Wet Sounds™ dealer.

## HOW LONG COVERAGE LASTS

This warranty extends for 2 years from the date of purchase. It is recommended to REGISTER your warranty online within 45 days of purchase at [www.wetsounds.com](http://www.wetsounds.com) – click on “warranty registration”.

## WHAT IS NOT COVERED

This warranty does not cover fading or discoloration caused by exposure to sunlight or chemicals such as ammonia, household bleach, or any cleaning material that contains abrasive substances. Wet Sounds, Inc. does not cover the expense for removal or reinstallation. Additionally, shipping TO Wet Sounds, Inc. must be paid for by the purchaser. This warranty is void and inapplicable if Wet Sounds deems that the product was abused or misused; including but not limited to damage caused by accident, mishandling, improper installation, removing the inline fuse on the power connection, negligence, normal wear and tear, excessive water or heat damage, freight/shipping damage, or products that have been disassembled by anyone other than Wet Sounds technical staff. Wet Sounds will not be responsible for any incidental or consequential damages, except to the extent provided (or prohibited) by applicable law. This warranty gives you specific rights, and you may also have other rights which vary from state to state.

## WHAT WET SOUNDS, INC. WILL DO

Wet Sounds, Inc. will repair any part of your product that proves to be defective in materials or workmanship. In the event repair is not possible, Wet Sounds will replace the product in question. If it is deemed necessary Wet Sounds, Inc. will either replace the entire product with a refurbished unit or it will be replaced with a model that is similar in price if that model is no

longer available. Labor costs and materials needed to complete this service will be at No Charge to the purchaser. Additionally, return shipping FROM Wet Sounds, Inc. to the purchaser will be paid for by Wet Sounds.

### **HOW TO GET SERVICE**

Contact Wet Sounds, Inc. either by phone (877-938-7757) or by email ([warranty@wetsounds.com](mailto:warranty@wetsounds.com)). A service representative will assist you in confirming that the problem you are experiencing is caused by a defective product and if that product is covered under warranty. The service representative will issue you a Return Manufacturer's Authorization (RMA) and other details to obtain service for your product.

### **DO NOT RETURN YOUR PRODUCT WITHOUT THE PROPER RETURN AUTHORIZATION (RMA)!**

### **INTERNET WARNING**

Wet Sounds, Inc. products sold on any non-authorized web site or internet auction site are void of any and all manufacturer's warranty. Please contact Wet Sounds (877-938-7757) or visit our website ([www.wetsounds.com](http://www.wetsounds.com)) for a list of authorized online sellers or to find an authorized installing retailer near you.

***WET SOUNDS INC.***  
[www.wetsounds.com](http://www.wetsounds.com)  
877-938-7757

10621 S Sam Houston PKWY W • Suite 100  
Houston, Texas 77071  
USA



***WET SOUNDS INC.***

[www.wetsounds.com](http://www.wetsounds.com)

877-938-7757

10621 S Sam Houston PKWY W • Suite 100  
Houston, Texas 77071  
USA



PROUDLY  
DESIGNED  
IN THE  
**USA**