



baelz 373-P22

DESCRIPTION

baelz 373-P21 compact pneumatic linear actuators with aluminum housing EN AC-AISI9Cu3(Fe) and NBR diaphragm. For control valves up to DN125.

TECHNICAL SPECIFICATIONS

Ambient conditions: temperature: 0 ... +80°C;
 relative humidity: 0 ... 90%
 Max. supply air pressure: 6 bar
 Air connection: push-in fitting for tube Ø 8 mm
 Yoke and coupling made of aluminum (P22L: coupling zinc plated steel), fasteners made of zinc plated steel.

Stroke: 40 mm
 Number of springs: 3, 6

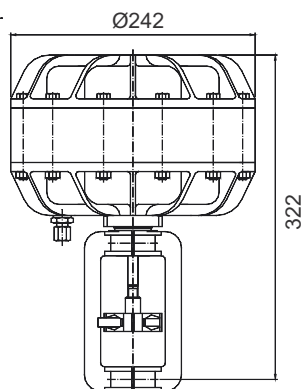
OPTIONS

Fo = Spring above: spindle extended is normal position. The springs extend the spindle, compressed air retracts the spindle.
Fu = Spring below: spindle retracted is normal position. The springs retract the spindle, compressed air extends the spindle. **Manual operation:**
 P22-H22 - handwheel Ø 120 mm
Yoke options:
 S21 yoke (standard) - for valves with spindle Ø10 mm
 S21-L yoke - for valves with spindle Ø16 mm

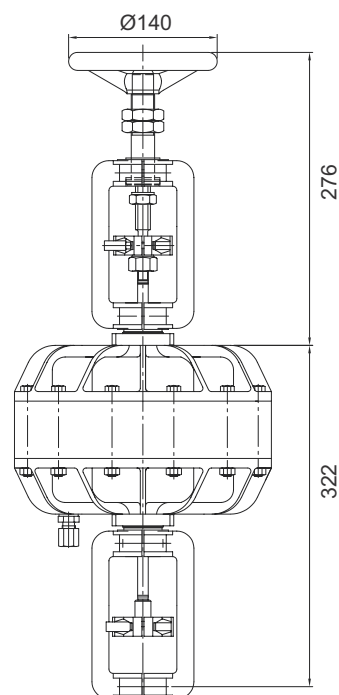
Options					
Designation	Valve Spindle Ø (mm)	Force (N)	Min. supply air pressure (bar)	Nº. springs	Weight, approx. (kg)
P22-3-Fo/Fu	10	1846	6	3	6.3
P22L-3-Fo/Fu	16				
P22-6-Fo/Fu	10	3692	6	6	6.6
P22L-6-Fo/Fu	16				
+H22					+2

Extras	Order number
Polyester coated inside and out, black, for hydraulic operation, includes coating of yoke. With stainless steel fittings and yoke connection. Ambient temperature max. 50 °C	MP373-P22-522

baelz 373-P22 dimensions (mm)



Actuator baelz 373-P22-S21



Actuator baelz 373-P22-S21-H22 (with handwheel)