



baelz 373-P41

DESCRIPTION

baelz 373-P41 compact pneumatic linear actuators with aluminum housing EN AC-AISI9Cu3(Fe) and NBR diaphragm. For control valves sized DN 150 and upwards.

TECHNICAL SPECIFICATIONS

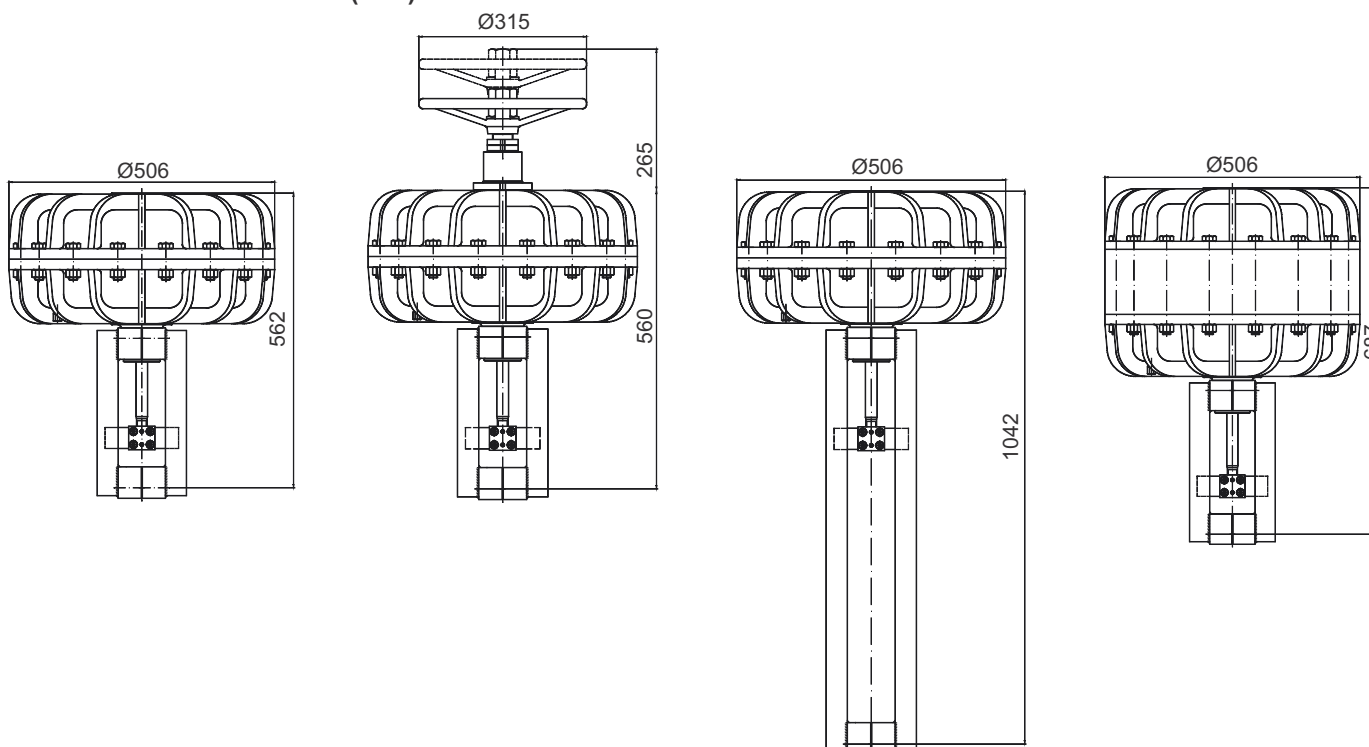
Ambient conditions: Temperature: 0 ... +80° C;
 relative humidity: 0 ... 90%
 Max. supply air pressure: 6 bar
 Air connection: push-in fitting for tube Ø 8 mm
 Yoke, coupling and fasteners made of zinc plated steel.
 Stroke: 44, 66 mm
 Number of springs: 3, 6, 6 reinforced (V6)

OPTIONS

Fo = Spring above: spindle extended is normal position. The springs extend the spindle, compressed air retracts the spindle.
Fu = Spring below: spindle retracted is normal position. The springs retract the spindle, compressed air extends the spindle.
Manual operation:
 P41-H41 - handwheel Ø 315 mm
Yoke options:
 S41 - for valve control without cooling tube
 S41 - for valve control with cooling tube

Options					
Designation	Valve Spindle Ø (mm)	Force (N)	Min. supply air pressure (bar)	Nº springs	Weight, approx. (kg)
P41-3-Fo/Fu-S41	Ø 22	3765	1.2	3	55.5
P41-3-Fo/Fu-S41C					59.5
P41-6-Fo/Fu-S41		7530	3	6	58.5
P41-6-Fo/Fu-S41C					62.5
P41-V6-Fo/Fu-S41		31920	6	V6	65,0
P41-V6-Fo/Fu-S41C					69,0
+ H41			-		+11

baelz 373-P41 dimensions (mm)



Actuator baelz 373-P41-S41

Actuator baelz 373-P41-S41-H31

Actuator baelz 373-P41-S41C

Actuator baelz 373-P41-V6-S41