

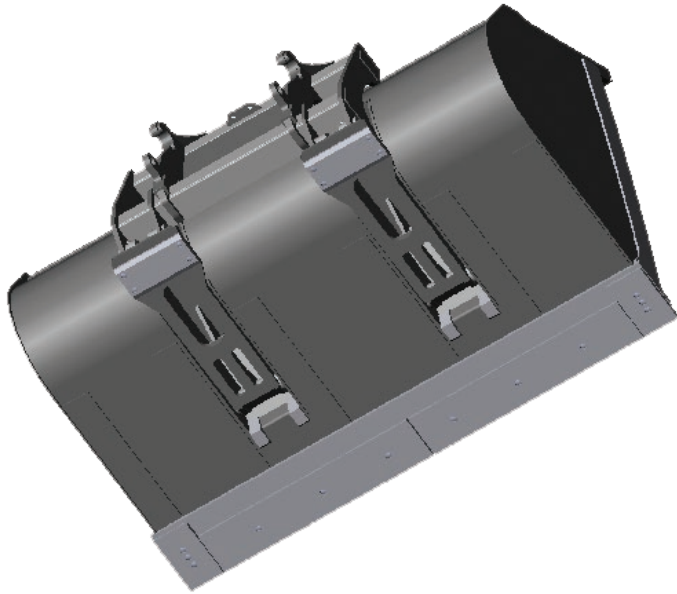


Heavy Construction **ATTACHMENTS**

GEM

RO

ROLL OUT BUCKET



- Increased Dump Clearance (typically 8"-14" above hinge pin height)
- Cushioned Cylinders on Open and Close Cycle for Extended Bucket Life
- Wide Sub Carriage for Durability Against Twisting and Flexing
- Drilled to accept OEM Edges

Available in Quick Coupler and Pin-On Style Mounting

