

Neoss Equator Abutment

Implant-supported overdenture solutions are simple and cost-effective treatment options for many patients. In some cases the patient's existing denture may be utilized.

The Equator System concept has been used clinically for over fifteen years and offers a simple methodology and precision placement. The Neoss Equator Abutment is designed for use with full or partial dentures. The self-locating design allows a patient to easily seat their denture.

Neoss Equator Abutments are available for the Neoss SP (Ø3.5 and wider) and NP (Ø3.25) implants and for placement on the Access Abutments.

Features & benefits

Low and narrow design – With the compact design, less preparation of the denture is required allowing more accessibility for bars, partials and increased strength in cases with compromised height or width.

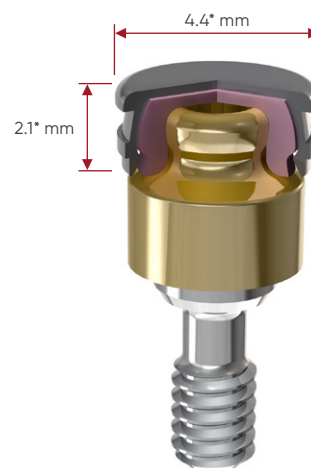
Wear resistant – The ball shaped design provides more freedom, hence less wear and a consistent and reliable retention.

Neoss screwdriver connection – The Neo screwdriver is used to carry, place, and tighten the Neoss Equator Abutment, eliminating the need for specific placement tools.

Complete offer – The Neoss Equator Abutment offer includes abutments on implant level, including Neoss NP Ø3.25 implant, on Access Abutment level and in various heights.

Flexible and easy – Four different retention levels are available and the retention caps are easily switched with the insertion and removal tools. The standard Housing covers 28° divergence and the Housing for extended divergence 50°. Compatibility with angled Access abutments allows for recommended maximum divergence of 60°.

For detailed information please refer to the Neoss Implant System Guidelines.



Assortment

Art. No.	Description
90201	Neoss Equator Abutment Kit 1 mm
90202	Neoss Equator Abutment Kit 2 mm
90203	Neoss Equator Abutment Kit 3 mm
90204	Neoss Equator Abutment Kit 4 mm
90205	Neoss Equator Abutment Kit 5 mm
90206	Neoss Equator Abutment Kit 6 mm
90207	Access Equator Abutment Kit 0.5 mm
90208	Access Equator Abutment Kit 1.5 mm
90242	Neoss Equator Abutment Kit 2 mm, NP
90243	Neoss Equator Abutment Kit 3 mm, NP
90244	Neoss Equator Abutment Kit 4 mm, NP
90210	Neoss Equator Cap and Housing Kit
90215	Neoss Equator Cap and Housing Kit – Extended Divergence
90211	Neoss Equator Cap Standard Retention, White – 2 pcs (1.8 kg)
90212	Neoss Equator Cap Strong Retention, Violet – 2 pcs (2.7 kg)
90213	Neoss Equator Cap Soft Retention, Pink – 2 pcs (1.2 kg)
90214	Neoss Equator Cap Extra Soft Retention, Yellow – 2 pcs (0.6 kg)
90220	Neoss Equator Impression Coping & Replica – 2 sets
90222	Neoss Equator Protector Disk – 10 pcs
90232	Neoss Equator Cap Tool

All kits include Equator Abutment, Housing with processing Cap, Protector Disk, Standard, Strong, Soft and Extra Soft Retention caps.

*2.2 and 4.8 mm on the Housing for extended divergence