

# Neoss<sup>®</sup> TiBase Abutments and ScanPost

The Neoss TiBase abutments and ScanPosts are designed to be compatible with the TiBase solution and the inLab design software within Sirona Dental CAD/CAM-System including grinding blocks from Sirona<sup>™</sup> and Ivoclar Vivadent<sup>®</sup>.

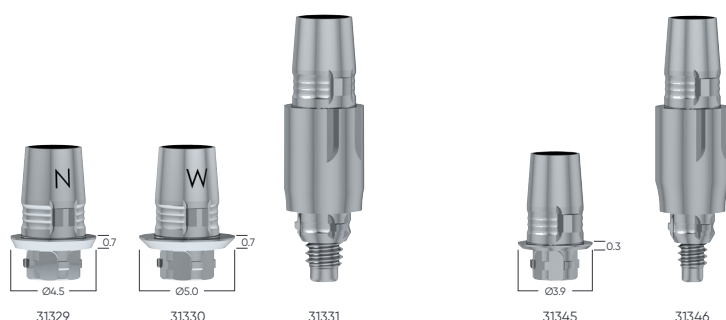
## Features & benefits

**Intra-oral scanning** – The Neoss TiBase mounted with a scan body acts as an impression post allowing easier and faster impression by digitally capturing the position of the implant, irrespective if used intra-orally or model based. The Neoss ScanPost is suitable for deep sub-gingival implants.

**Two emergence profiles** – The offer for Neoss implant diameters Ø3.5–6.0 mm includes TiBase abutments of two sizes, N and W, to account for different emergence profiles, improving adaptation to different clinical situations.

**Original Neoss components** – Full Neoss compatibility with the advantage of the NeoLoc<sup>®</sup> implant abutment connection, original Crystaloc<sup>™</sup> screw and cover of the Neoss warranty program.

**'Full' Sirona integration** – Neoss system supports the Sirona<sup>™</sup> digital workflow enabling integrated treatment planning, surgical guide design and production, intra-oral impression and individual restorations designed and produced chairside.



## Assortment

### Art. No. Description

31329	Neoss TiBase N (NB B 3.4 L)
31330	Neoss TiBase W (NB B 4.1 L)
31331	Neoss ScanPost L (TiBase)
31345	Neoss TiBase Ø3.25 (FX 3.4 S)
31346	Neoss ScanPost S (Ø3.25 TiBase)

*All components might not be available on all markets.*

TiBase abutments for Neoss implant diameters Ø3.5–6.0 mm include a Crystaloc<sup>™</sup> abutment screw and a dedicated titanium screw as laboratory screw. The offer for the Neoss implant diameter Ø3.25 mm includes a TiBase abutment, an abutment screw and a laboratory screw. The ScanPosts include a pre-assembled fixation screw.

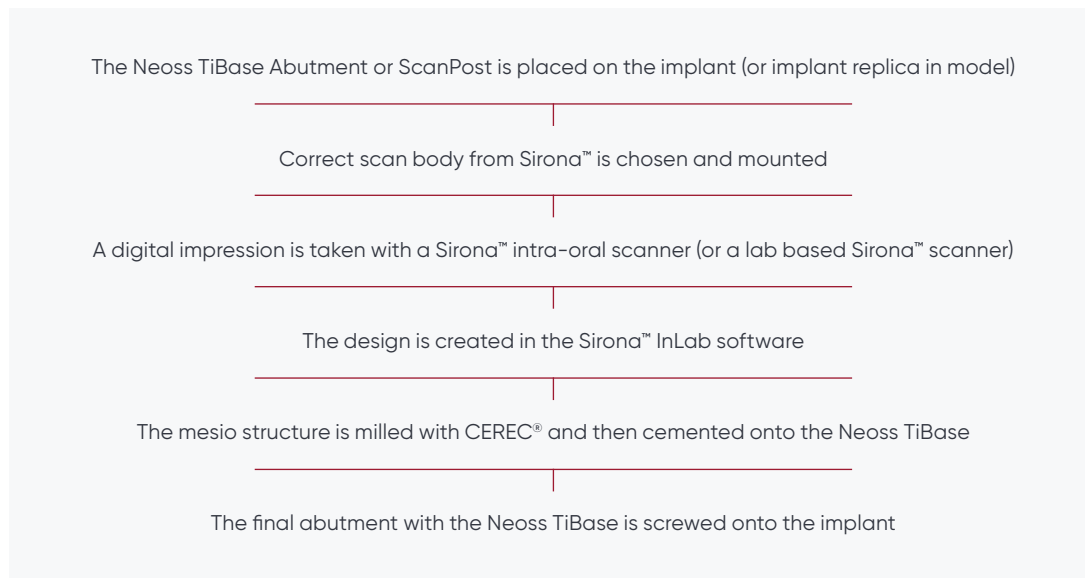
TiBase abutments are delivered non-sterile and intended for single use only. The ScanPost and fixing screw can be sterilized and used up to 50 times.

## Facts and figures

Art. No.	Description	Material	Scan body	Implant Diameter	Compatible with grinding blocks
31329	Neoss TiBase N (NB B 3.4 L)	Titanium grade 5	L	Ø3.5-6.0 mm	Sirona™: inCoris® ZI meso, size L Ivoclar Vivadent®: IPS e.max® CAD, size L
31330	Neoss TiBase W (NB B 4.1 L)	Titanium grade 5	L	Ø3.5-6.0 mm	
31331	Neoss ScanPost L (TiBase)	Stainless steel	L	Ø3.5-6.0 mm	-
31345	Neoss TiBase Ø3.25 (FX 3.4 S)	Titanium grade 5	S	Ø3.25 mm	Sirona™: inCoris® ZI meso, size S Ivoclar Vivadent®: IPS e.max® CAD, size S
31346	Neoss ScanPost S (Ø3.25 TiBase)	Stainless steel	S	Ø3.25 mm	-

## Key process steps

### Flowchart



For detailed information please refer to Neoss TiBase Abutments and ScanPost instructions for use.

Sirona, CEREC and inCoris are trademarks of Sirona Dental Systems GmbH. Ivoclar Vivadent and IPS e.max are trademarks of Ivoclar Vivadent AG.

Neoss Ltd · Windsor House · Cornwall Road · Harrogate · HG1 2PW · United Kingdom · T +44 1423 817733 · F +44 1423 817744 · E info@neoss.com  
Neoss Australia Pty. Ltd · PO Box 404 · New Farm · QLD 4005 · Australia · T +61 7 3216 0165 · F +61 7 3216 0135 · E info.au@neoss.com