

Zirconia Abutments

Zirconia Abutments are made in a range of anatomical shapes for all positions and match perfectly the Esthetic Healing Abutments and Esthetic Tissue Formers and the natural profile developed during healing and provisionalization. Esthetic coping designs and the preblasted NeoLink® minimize the need for further adjustments and allow an easy, fast, economical and highly esthetic restoration.

Features & benefits

Intended use – Cement-retained single and multiple unit restorations and screw-retained single unit restorations.

Material – Commercially Pure Titanium Grade 4 and Zirconia (Lava™ Plus High Translucency, VITA Classic shade B1).

Packaging – Non-sterile; includes separate Zirconia coping, Ti NeoLink® Mono, laboratory screw and abutment screw.

Zirconia physical properties – Granular size < 0.5 µm, fracture toughness 5–10 MPa, flexural strength > 1000 MPa, thermal expansion $10 \times 10^{-6} \text{ K}^{-1}$, X-ray contrast similar to metal.

Esthetiline Solution – Zirconia Abutments are part of the Esthetiline solution. The shapes match the profile of the Esthetic Healing Abutments and Esthetic Tissue Formers and an optimal result is achieved by choosing the Zirconia Abutment that matches the profile placed at surgery.

Coping modification – Prior to cementation and placement, careful adjustment of the Zirconia coping may be made extra-orally by using burs especially manufactured for preparation of ceramics.

Indexing – It is recommended that the implant is indexed prior to placing the Zirconia Abutment to ensure optimal placement and minimal preparation.

Note: There is also an indexing between the Zirconia coping and the NeoLink® (the plane on the NeoLink® matches a plane in the coping) in order to achieve a specific orientation in relation to the implant's rotational position. Index the flat plane of the NeoLink® in the buccal direction.

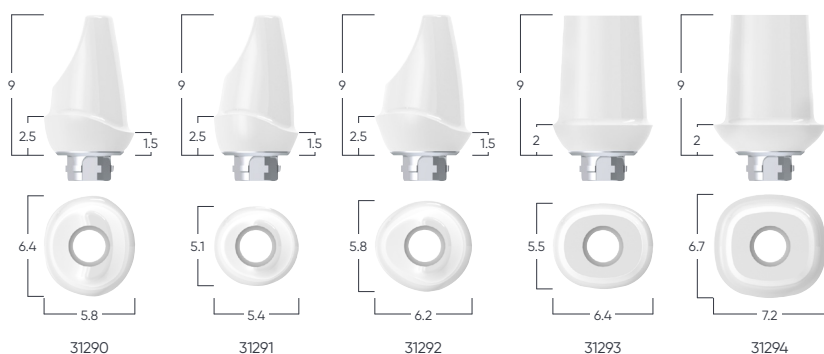
Procedure – The Zirconia coping is designed to be cemented onto the NeoLink®. This may be carried out at the chair-side or in laboratory. For more information please refer to the Neoss Implant System Guidelines.

Note: Apply a resin bonded cement according to manufacturer's instructions.



Assortment

Art. No.	Description
31290	Zirconia Abutment – Wide Incisor
31291	Zirconia Abutment – Narrow Incisor
31292	Zirconia Abutment – Canine
31293	Zirconia Abutment – Pre-molar
31294	Zirconia Abutment – Molar
90137	Zirconia Abutment Preparation Kit



Lava is a trademark of 3M or 3M Deutschland GmbH.

Neoss Ltd · Windsor House · Cornwall Road · Harrogate · HG1 2PW · United Kingdom · T +44 1423 817733 · F +44 1423 817744 · E info@neoss.com
 Neoss Australia Pty. Ltd · PO Box 404 · New Farm · QLD 4005 · Australia · T +61 7 3216 0165 · F +61 7 3216 0135 · E info.au@neoss.com