

CONTRACT NO.

561

DRAWN BY: G.E.S.

DATE 9.9.14.

APPRO

D. M. D. CO.
JAMESTOWN, N. Y.

MATERIAL: STEEL

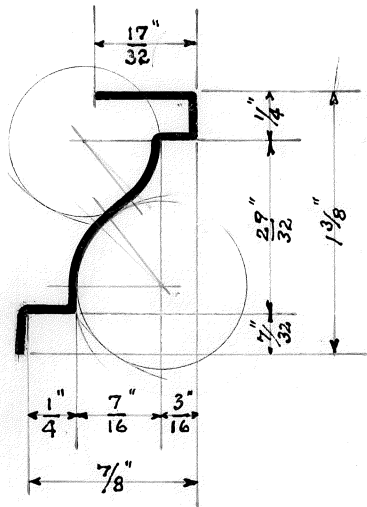
GAUGE .050"

DIE NUMBER

D-638

PANEL MOULDING

DEV. WIDTH = 2.500



59/64 OVERALL