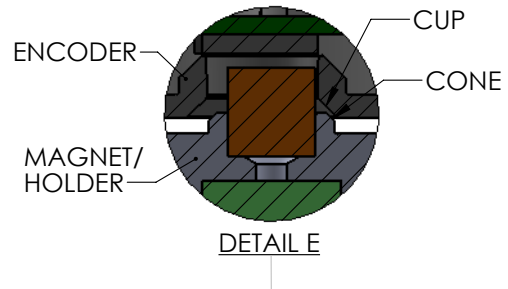


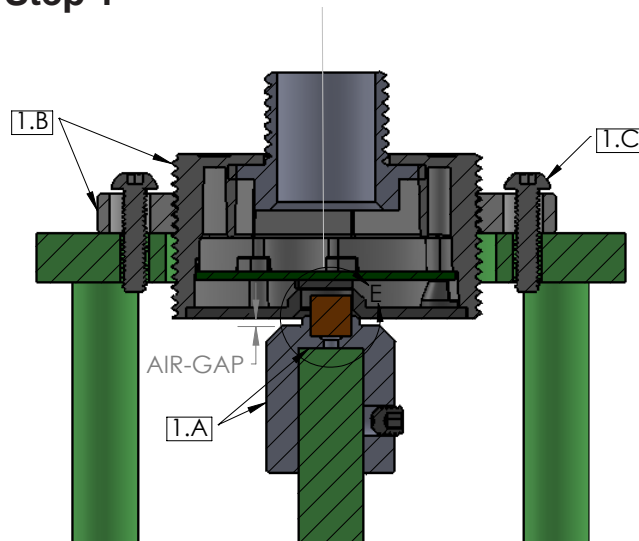


TB-538: Installation of Model 30MT

The 30MT has a cup-and-cone centering feature used during installation. As the Magnet/Holder (cone feature) is pushed into the bottom of the encoder (cup feature), the encoder aligns to the axis of the Magnet/Holder.



Step 1



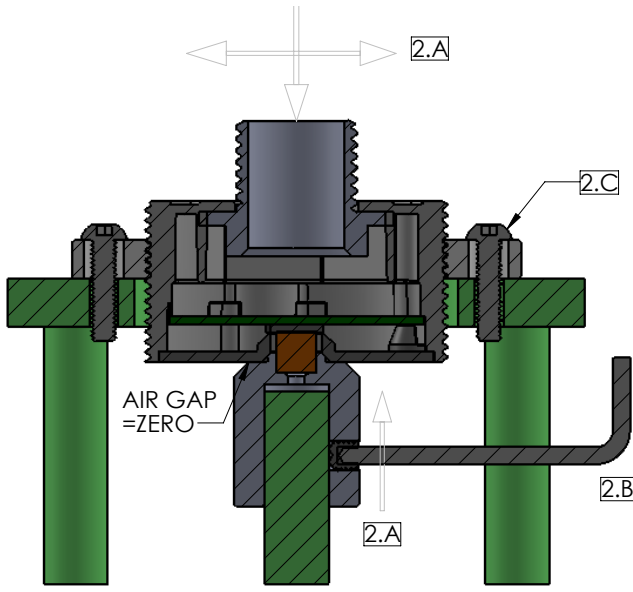
1.A Slide Magnet/Holder onto shaft until it bottoms out on the shaft. (Do not tighten set screw.)

1.B Adjust TCAP position on Encoder's threads so that the Air-Gap is roughly .010 to .100". (Exact position to be determined later.)

1.C Loosely install the mounting screws.

TB-538: Installation of Model 30MT

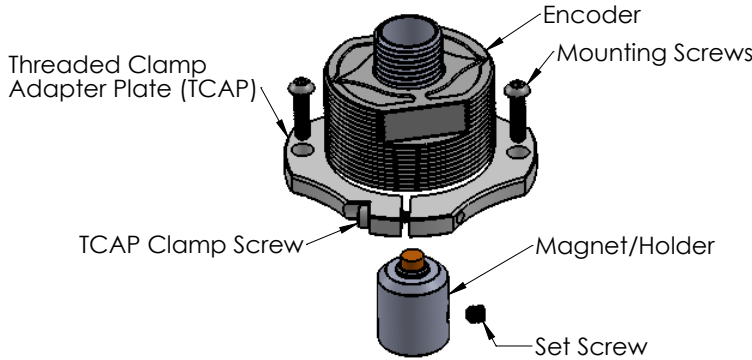
Step 2



NOTE Perform the following steps while maintaining finger pressure to the top of the encoder.

- 2.A Move Encoder back and forth while simultaneously sliding Magnet/Holder axially (with the hex wrench engaged in the set-screw) until the encoder is centered and has zero Air-Gap.
- 2.B Tighten the Set Screw.
- 2.C Tighten Mounting Screws.

Step 3



- 3.A Rotate the encoder counter-clock-wise approximately 1/2 turn to set the operating Air-Gap.
- 3.B Tighten TCAP Clamp Screw.