

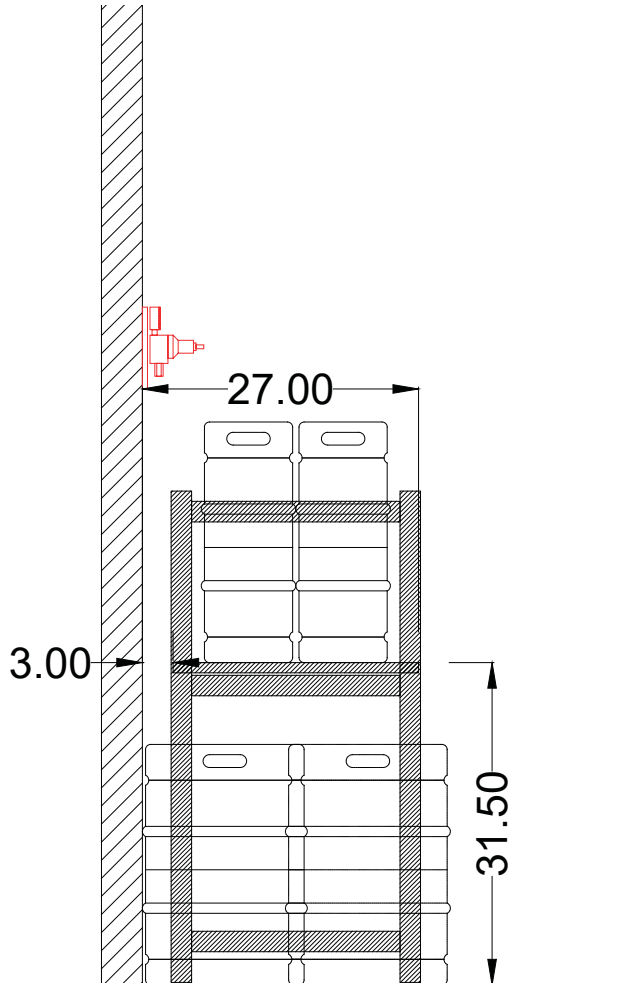
The Only Beer Shelf Without A Shelf Life



Item No. :	_____
Project No. :	_____
S.I.S. No. :	_____

Model : RKS

24" Deep Keg Shelf



Specifications

24" deep keg shelf at 31.5" AFF.

Holds two (2) Sixtel (5.2 Gallon) kegs, two (2) deep front to back.

Hot dipped galvanized finish standard on all pieces. Assemble with Grade 5 hardware (included).

Features

- Designed size specific for beer products
- Can increase storage capacity up to 40%
- Keg shelving rated at 125lbs / sq.ft.
- Welded structural steel construction
- Easy to assemble modular components
- Welded keg stop standard on all keg shelves
- Constructed to allow for maximum air flow, drainage, and prevention of debris build up
- Alternate finishes available
- Leveling feet available for uneven floors
- Weight distribution pads available for reinforced floors
- Rear safety flats available for cooler component protection

Shipping

Class 70 Freight - palletized for delivery

Warranty

10 yr. warranty on materials and workmanship

Made In The U.S.A.

Cooler Concepts, Inc.
PO Box 1247
Frankfort, IL 60423
(800) 598-2945 Toll free
(815) 462-3877 Fax

For additional Cooler Concepts' storage solutions
visit www.kegracks.com

For consultation call **(815) 462-3866**

Submit all inquiries and orders to sales@kegracks.com

©2017 Cooler Concepts, Inc.

